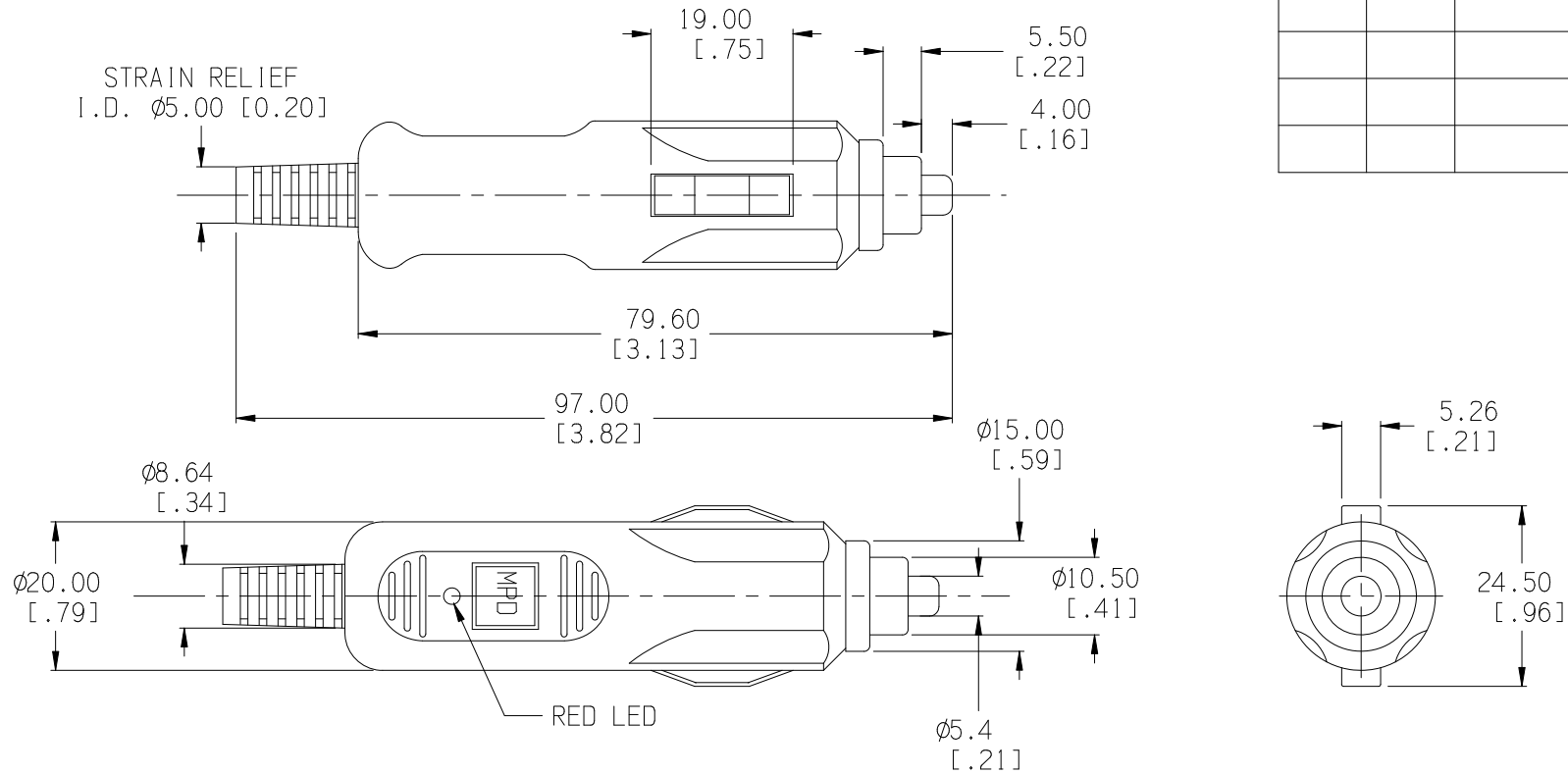



Date	SYM	REVISION RECORD	AUTH	DR.	CK.
11/07/14	H	UPDATED TO ROHS 2 COMPLIANT	T.B.	B.S.	
02/17/17	J	ADDED STRAIN RELIEF I.D.	T.B.	B.S.	



SPECIFICATION:

BODY: NYLON 6, FLAMMABILITY RATING UL94V-0 UL FILE NO. E154352
 COLOR: BLACK
 CENTER CONTACT: BRASS, NICKEL PLATED
 NEG. TERMINAL: SKS, NICKEL PLATED
 POS. TERMINAL: PHOSPHOR COPPER, NICKEL PLATED
 SPRING: PHOSPHOR COPPER
 WIRE STRAIN RELIEF: PVC
 LED: RED, $\varnothing 3\text{mm}$, 2.2K Ohm, 1/4 W
 FUSE: 6.35mm x 30mm (1/4" X 1 1/4") RATED 15 AMPS
 RATED AT 18 HOURS, CONTINUOUS DUTY
 15 AMP'S MAX
 ROHS 2 COMPLIANT

Tolerance (Inches)	 Memory Protection Devices, Inc. 200 Broad Hollow Road, Farmingdale, New York 11735		
Decimal		Scale	Drawn By B.S.
$\pm .5$ (.020)			Approved By T.B.
Fractional	Title		
$\pm .8$ (.030)	15 AMP CIGARETTE PLUG FOR 21 OR 22.2mm DIA. SOCKETS		
Angular	Date	Drawing Number	
$\pm 3^\circ$	02/17/17	APP-001-15AMP	