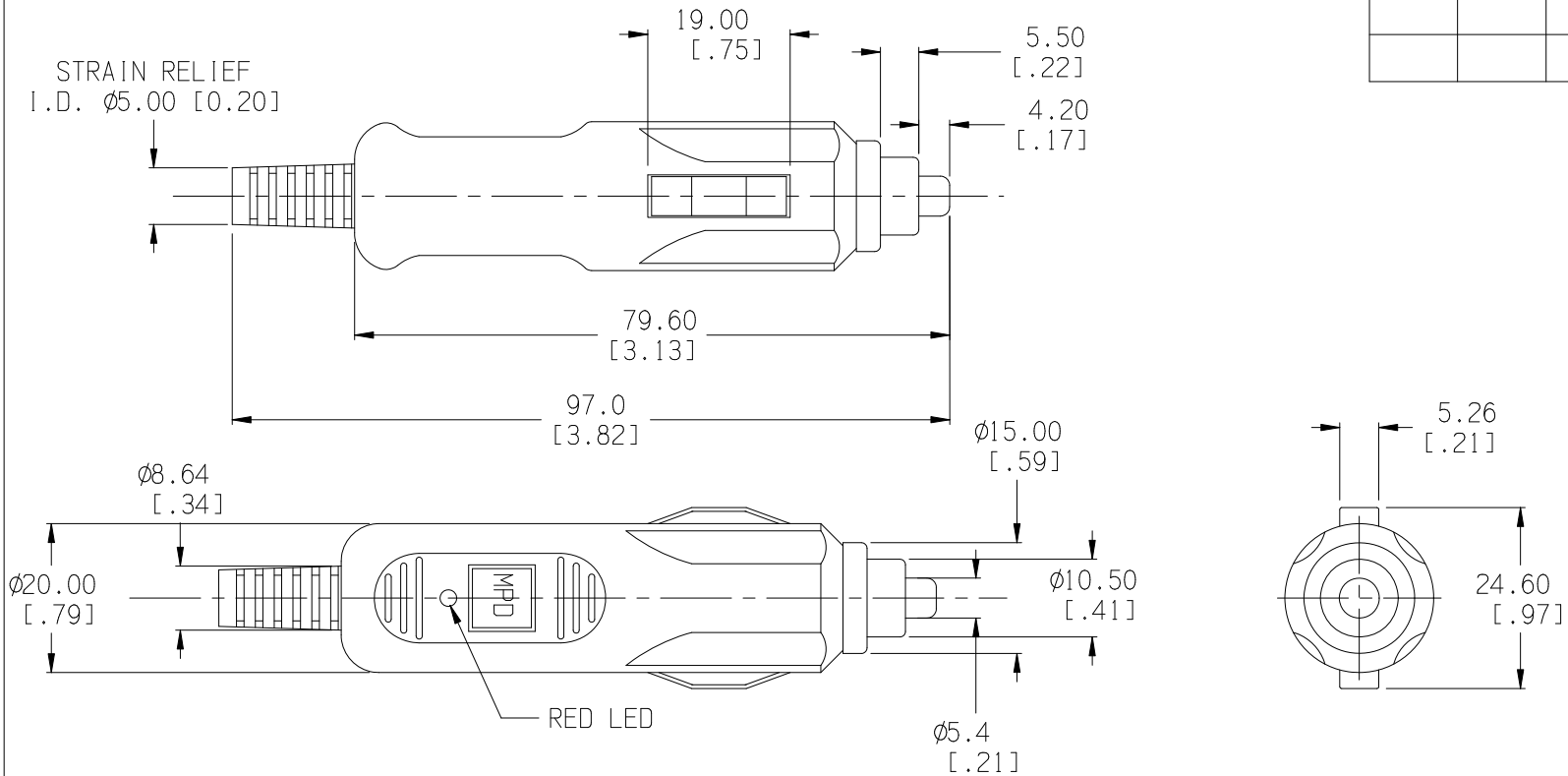



Date	SYM	REVISION RECORD	AUTH	DR.	CK.
11/07/14	H	UPDATED TO ROHS 2 COMPLIANT	T.B.	B.S.	
02/17/17	J	ADDED STRAIN RELIEF I.D.	T.B.	B.S.	



SPECIFICATION:

BODY: PBT (V0) + GF, UL FILE #E130155
 COLOR: BLACK
 CENTER CONTACT: BRASS, NICKEL PLATED
 NEG. TERMINAL: SK5, GOLD PLATED
 POS. TERMINAL: P.B., GOLD PLATED
 SPRING: $\phi 0.8$ P.B. WIRE, GOLD PLATED
 WIRE STRAIN RELIEF: PVC
 LED: RED, $\phi 3$ mm, 2.2K Ohm, 1/4 W
 FUSE: 20AMP., 6.35mm x 30mm (1/4" X 1 1/4")
 RATED AT 18 HOURS, CONTINUOUS DUTY
 20 AMP'S MAX
 ROHS 2 COMPLIANT

Tolerance (Inches)	 Memory Protection Devices, Inc 200 Broad Hollow Road, Farmingdale, New York 11735		
Decimal $\pm .5$ (.020)	Scale	Drawn By B.S.	
Fractional $\pm .8$ (.030)	Title 20 AMP CIGARETTE PLUG FOR 21 OR 22.2mm DIA. SOCKETS		
Angular $\pm 3^\circ$	Date 02/17/17	Drawing Number APP-001-20AMP	
		Approved By T.B.	