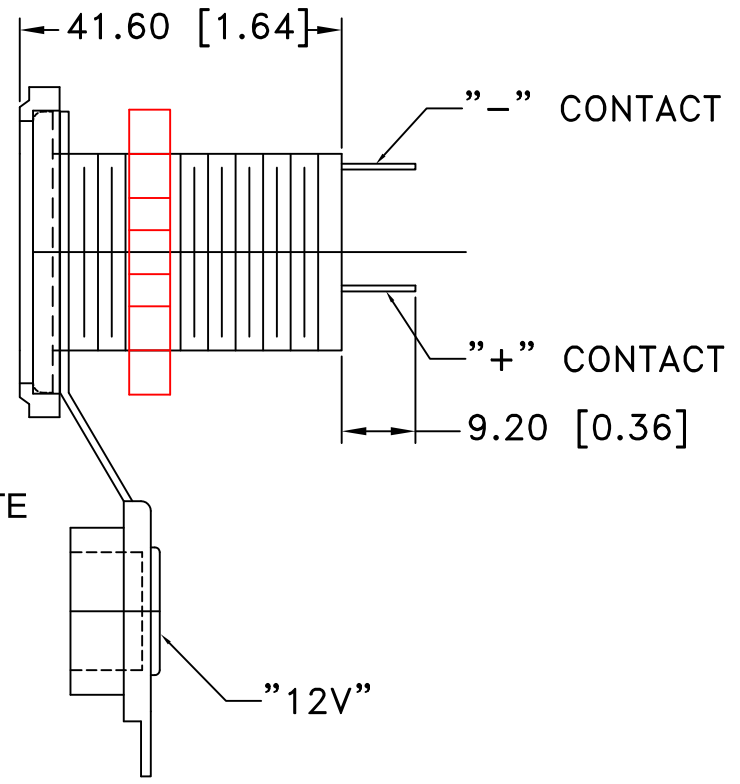
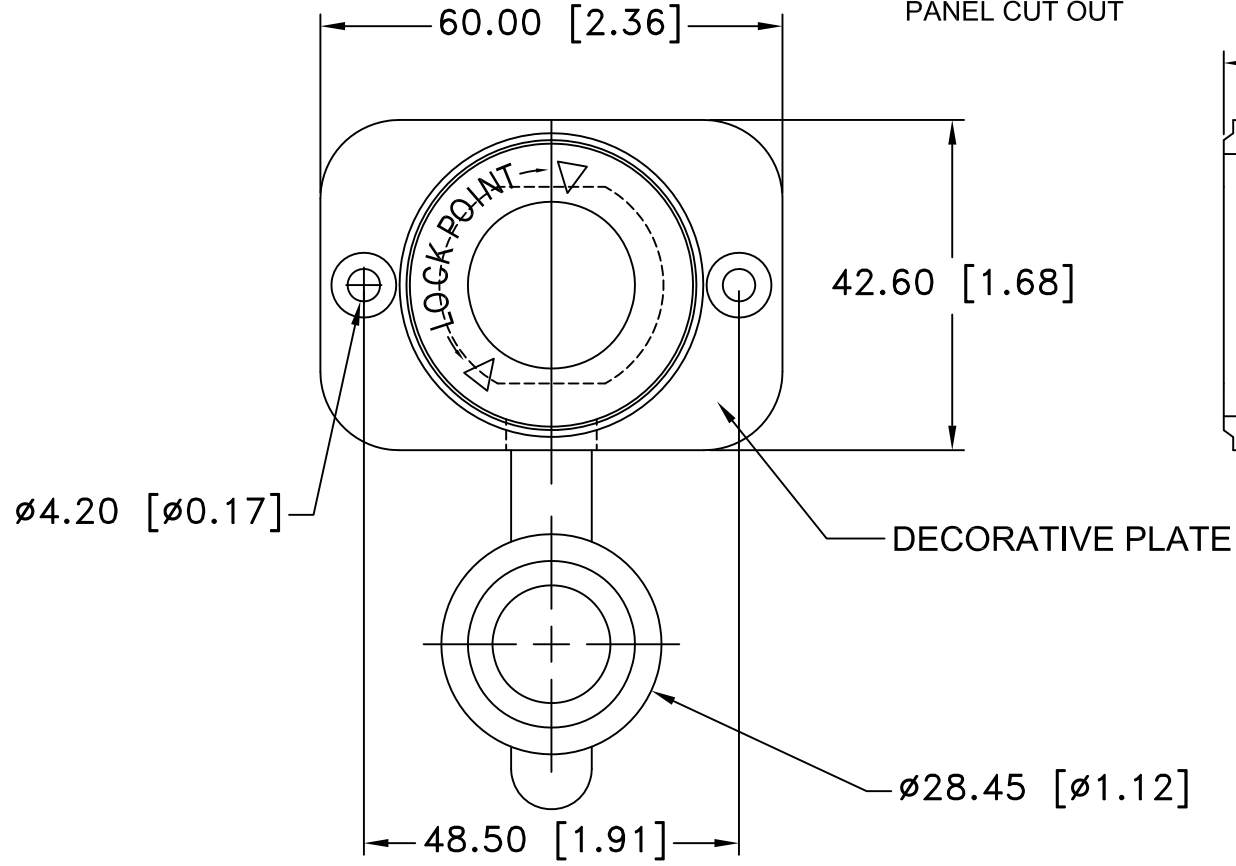
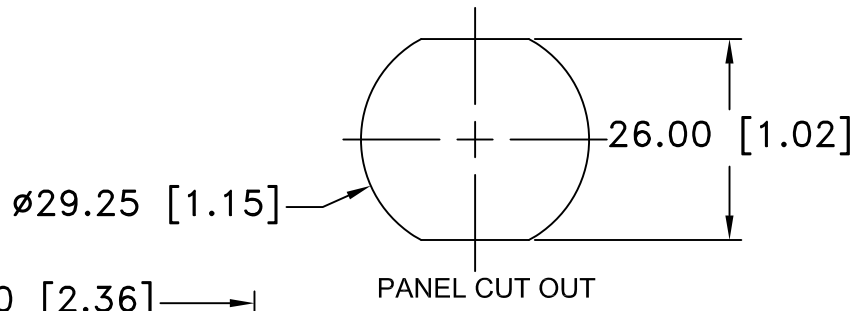



Date	SYM	REVISION RECORD	AUTH	DR.	CK.
02/11/11	A	ADDED ELECTRICAL RATING	T.B.	B.S.	
12/13/13	B	20AMP WAS 15 AMP AND REVISED TITLE	T.B.	B.S.	
11/07/14	C	UPDATED TO ROHS 2 COMPLIANT	T.B.	B.S.	



MATERIAL SPECIFICATION:
COVER: PVC
BODY: NYLON #66
CONTACTS: BRASS, NICKEL PLATED
RATING: 50mΩ Max
INSULATION RATING: 500VDC, 100mΩ MIN.
DIELECTRIC STRENGTH: 1500VAC 1 MIN.
NUT: NYLON #66
BASE: NYLON #66
DECORATIVE PLATE: NYLON #66
RATING: 12V, 20AMP
ROHS 2 COMPLIANT

Tolerance (Except as noted)	 Memory Protection Devices, Inc 200 Broad Hollow Road, Farmingdale, New York 11735	Scale	Drawn By B.S.
			Approved By T.B.
decimal ±.5 (.020)	Title 12V CIGARETTE SOCKET, 20AMP		
Fractional ± .8 (.030)			
Angular ± 3°	Date 11/07/14	Drawing Number AS212-C	