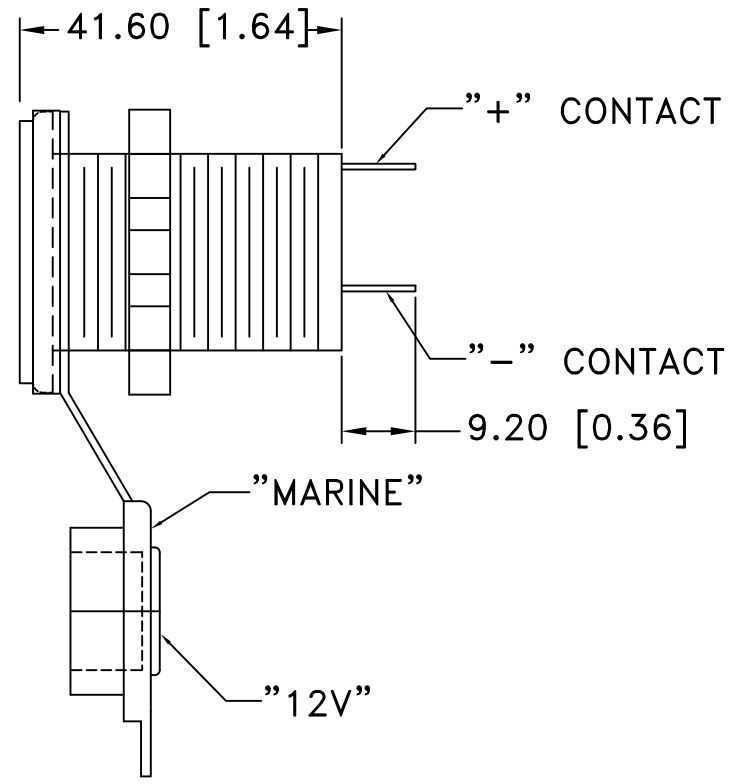
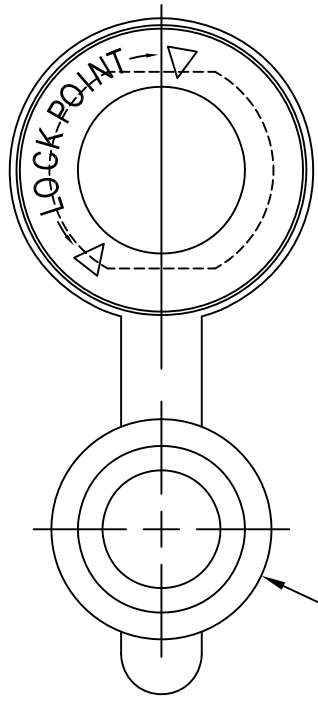



Date	SYM	REVISION RECORD	AUTH	DR.	CK.
03/31/17	A	ADDED "MARINE" TO CAP	T.B.	B.S.	
04/07/17	B	UPDATED RATING FROM 15 AMP.	T.B.	B.S.	



MATERIAL SPECIFICATION:  
 COVER: PVC  
 BODY: NYLON #66  
 CONTACTS: BRASS, NICKEL PLATED  
 NUT: NYLON #66  
 BASE: NYLON #66  
 RATING: 12V, 20AMP  
 ROHS 2 COMPLIANT

Tolerance (Except as noted)	 <b>Memory Protection Devices, Inc</b> 200 Broad Hollow Road, Farmingdale, New York 11735		
decimal $\pm .5$ (.020)		Scale	Drawn By B.S.
Fractional $\pm .8$ (.030)	Title 12V CIGARETTE SOCKET, 20AMP (AS212 WITHOUT DECORATIVE PLATE)		
Angular $\pm 3^\circ$	Date 04/07/17	Drawing Number AS212E-A	
		Approved By T.B.	