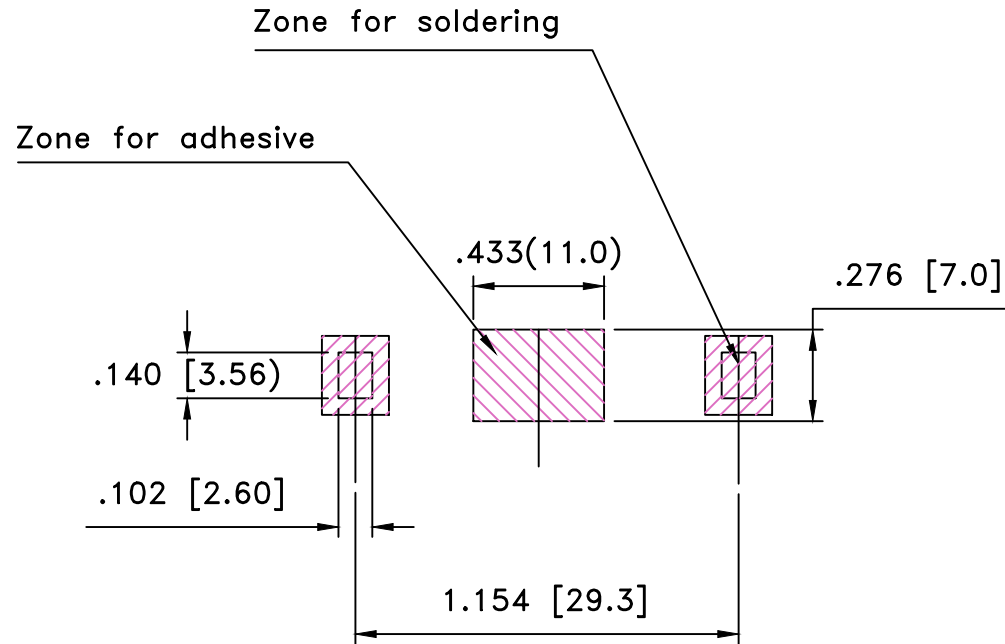


SPECIFICATIONS:

- * Holder material—30% glass-filled nylon 66, UL94 HB
- * Contacts—sus 301, nickel-plated overall with gold flash
- * Temperature range— -40°C to +225°C.
- * Vibration test 10 ~ 50 10 Hz swept in 60 seconds
X,Y,Z direction 1 hour each direction
Result: No dislodgement of the cell or damage
No discontinuity over 10 micro-seconds.
- * Soldering per JSTD020C Table 4.1
- * Drop Test:
Mounted on board and dropped 5 times from 1m high to concrete floor
Result: NO dislodgement of the cell, No damage to the holders
- * Shock Test: Half sine wave acceleration 150G. 6 milli-seconds.
X,Y,Z direction 3 times each direction
Result: No dislodgement of cell
No damage to the holder.
- * Temperature resistance test: 80°C 168 hours with battery on
Result: Contact resistance— below 100m ohms
Insulation resistance—over 100m ohms.
- * Temperature shock test: -30°C ↔ 80°C 1hours 100cycles
Contact resistance— below 100m ohms
Insulation resistance—over 100m ohms
Voltage resistance— No damage.
- * ROHS COMPLIANT

Date	SYM	REVISION RECORD	AUTH	DR.	CK.
6/28/13	G	UPDATED SHOCK TEST FROM MICRO SEC. TO MILLI SEC.	T.B.	B.S.	
3/14/14	H	REMOVED PAT. PEND. FROM MOLD	T.B.	B.S.	
3/06/19	J	UPDATED TO "ROHS COMPLIANT"	T.B.	B.S.	



PCB SPACING

PATENT NO. 5,922,489

Tolerance (Except as noted)	Memory Protection Devices, Inc 200 Broad Hollow Road, Farmingdale, New York 11735		
decimal ±.5 (.020)	Scale 2=1	Drawn By T.S.	
Fractional ± .8 (.030)	Title COIN CELL HOLDER		
Angular ± 3°	Date 03/06/19	Drawing Number BA2032SM	