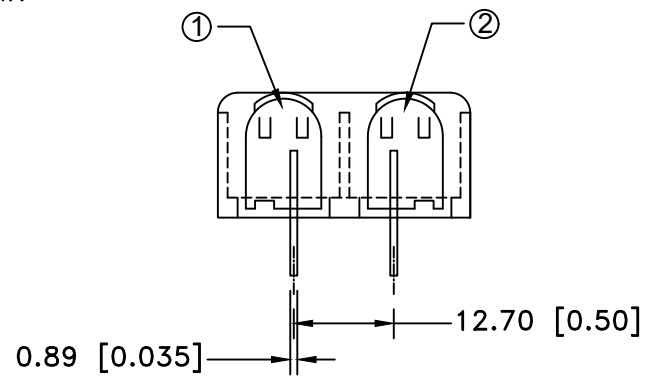
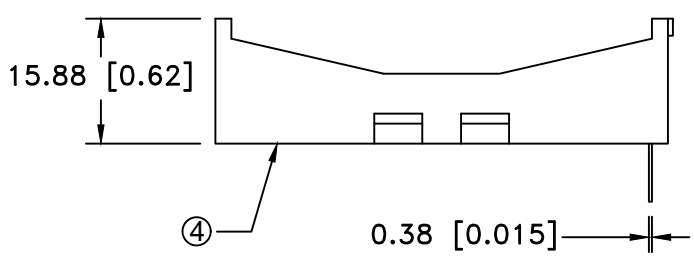
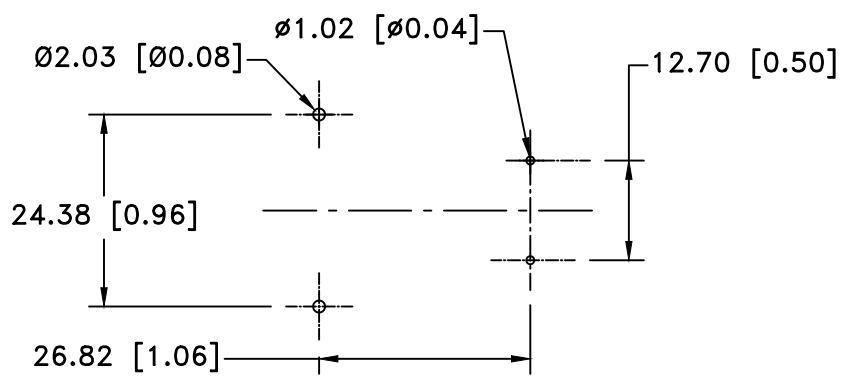
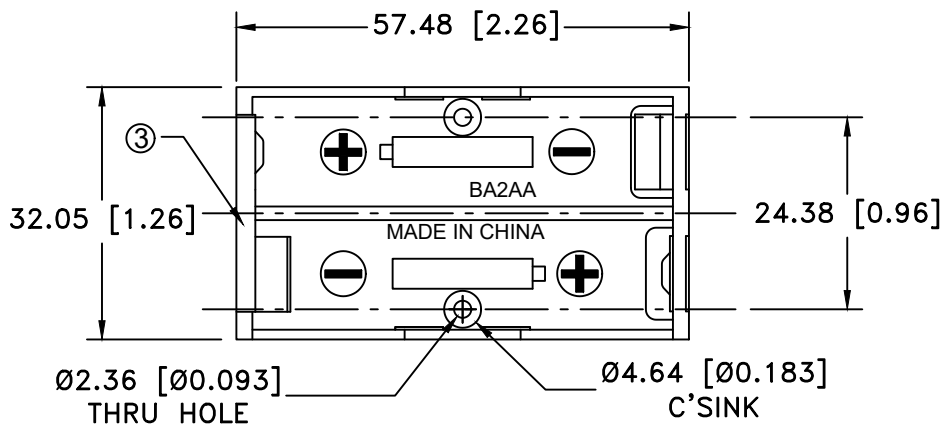



SPECIFICATION:

- HOUSING : BLACK POLYPROPYLENE
 FLAMMABILITY RATING -UL94-V-0, UL FILE NO. E216959
 TEMPERATURE RANGE: -10°C to +100°C
 CONTACTS: NICKEL PLATED STAINLESS STEEL
 CONTACT RESISTANCE: UNDER 50mΩ FOR +/- CONTACTS PER EIA-540J000
 ROHS 2 COMPLIANT

Date	SYM	REVISION RECORD	AUTH	DR.	CK.
10/17/14	A	Updated to ROHS 2 Compliant Added Specification	T.B.	B.S.	
01/29/16	B	Updated Flammability Rating	T.B.	B.S.	
05/11/18	C	Dim. 4.64 was 4.70 Dim. 2.03 was 2.36	T.B.	B.S.	



ITEM NO.	PART NO.	MATL. SPECIFICATION	QTY.
1	ABG-194	POSITIVE CONTACT, 302 STAINLESS STEEL, NICKLE PLTD.	1
2	ABG-195	NEGATIVE CONTACT, 302 STAINLESS STEEL, NICKLE PLTD.	1
3	ABG-196-1	RIGHT NEG./POS. CONTACT, 302 STAINLESS STEEL, NICKLE PLTD.	1
4	ABG-197	BLACK POLYPROPYLENE HOLDER, UL94V-0	1

Tolerance (Except as noted)	 Memory Protection Devices, Inc 200 Broad Hollow Road, Farmingdale, New York 11735		
	decimal	Scale	Drawn By B.S.
	±.5 (.020)		Approved By T.B.
	Fractional ± .8 (.030)	Title TWO "AA" CELL SPRINGLESS HOLDER	
Angular ± 3°	Date 05/11/18	Drawing Number BA2AAPC-UL94V-0	

MOUNTING INSTRUCTION:
 USE 2-56 MACHINE SCREWS OR EYELETS 0.089" OD BY 0.15" FLANGE STIMPSON GS-3 SERIES OR EQUIVALENT. ALSO ADHESIVES AND DOUBLE SIDED TAPES WORK WELL.