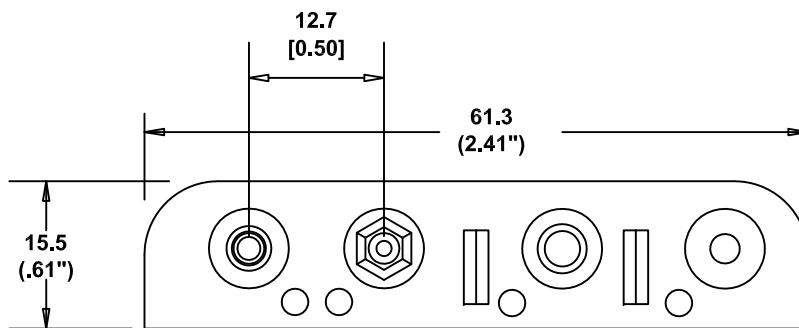
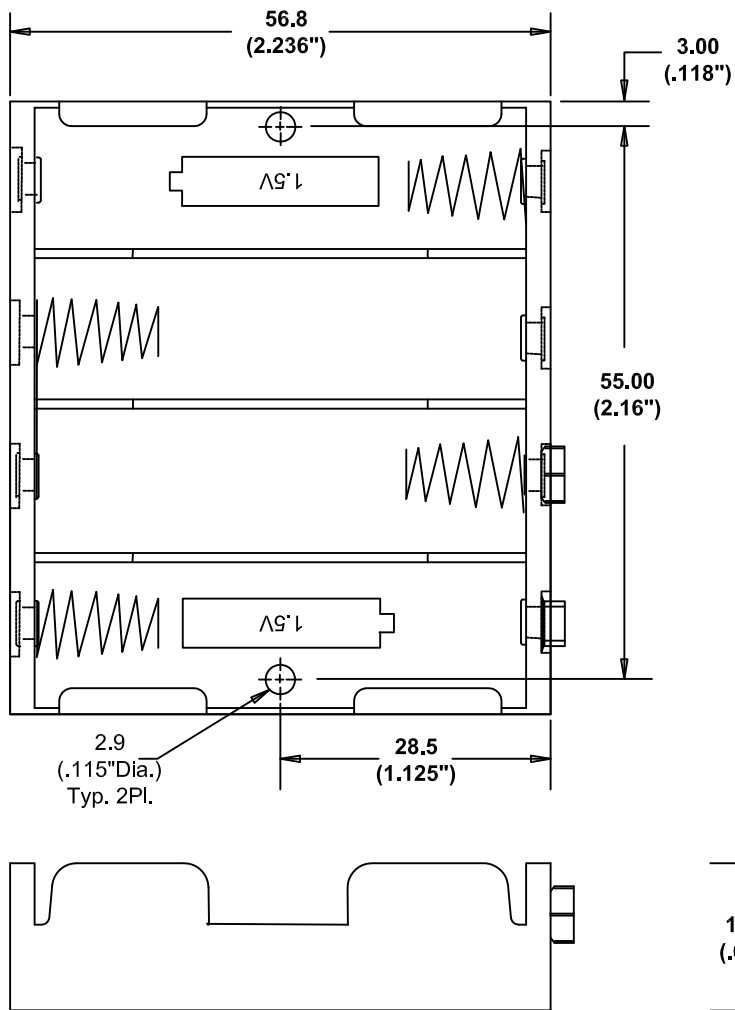



DATE	SYM	REVISION RECORD	AUTH	DR.	CK.
10/10/14	D	REDRAWN AND UPDATED TO ROHS 2 COMPLIANT	T.B.	B.S.	
05/05/17	E	DIM. 56.8 WAS 57.2	T.B.	B.S.	



SPECIFICATIONS :

Plastic material - polypropylene
 Flammability Rating-UL94 HB, UL File No. E216959
 Temperature Range: -10°C to +100°C
 Springs - nickel plated spring steel
 Rivets - Brass, nickel plated
 9 Volts Snaps - Brass, nickel plated
 Contact Resistance: Under 50m for +/- contacts per EIA-540J000
 ROHS 2 COMPLIANT

Note: Dimensions in mm. (inches)

Tolerance (Except as noted)	 Memory Protection Devices, Inc 200 Broad Hollow Road, Farmingdale, New York 11735		
decimal ±.5 (.020)		Scale	Drawn By B.S.
Fractional ± .8 (.030)	Title FOUR "AA" CELL HOLDER WITH SNAP FASTENERS		
Angular ± 3°	Date 05/05/17	Drawing Number BC4AASF	
		Approved By T.B.	