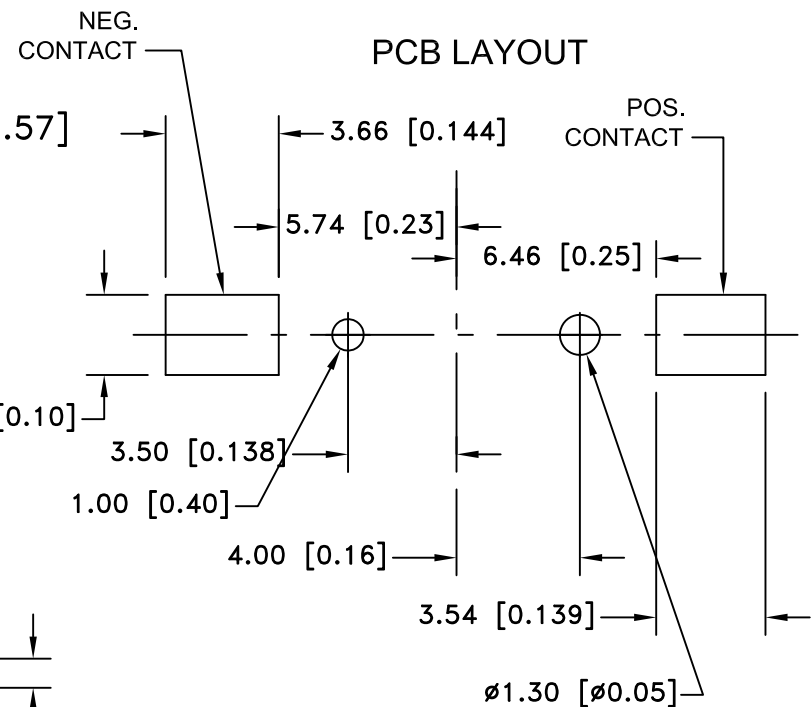
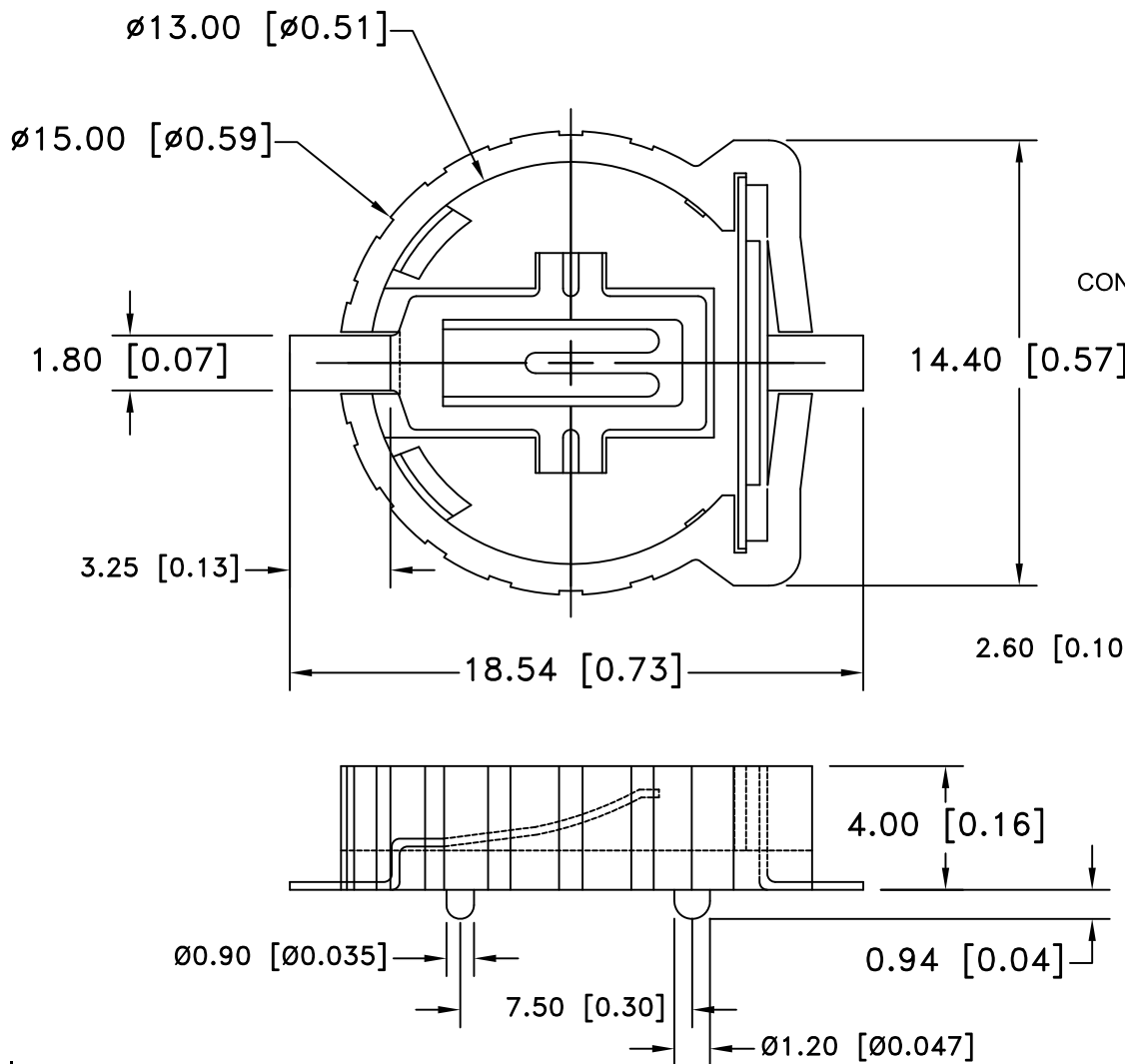


Date	SYM	REVISION RECORD	AUTH	DR.	CK.
5/20/06	A	ADDED PCB LAYOUT ADDED "ROHS COMPLIANT"	T.B.	B.S.	
12/02/06	B	ADDED DIM. 3.25	T.B.	B.S.	
2/17/07	C	UPDATED TITLE	T.B.	B.S.	
4/16/10	D	ADDED CENTER DIST. 7.50 ADDED DIM. Ø0.90 ADDED DIM. Ø1.20	T.B.	B.S.	




NOTES:

1. MATERIAL:

HOUSING: GLASS FILLED PPS, UL94V-0, BROWN
 TERMINAL: 0.20mm [0.008] PHOSPHOR BRONZE, GOLD PLATED
 OVER NICKEL

- INSULATION RESISTANCE: 1000MΩ MIN
- CONTACT RESISTANCE: 20MΩ MAX.
- DIELECTRIC WITHSTANDING: AC 500V
- OPERATING TEMPERATURE: -40°C TO +85°C
- ROHS COMPLIANT

Tolerance (Except as noted)	 Memory Protection Devices, Inc 200 Broad Hollow Road, Farmingdale, New York 11735	Scale	Drawn By B.S.
			Approved By T.B.
decimal ±.25 (.010)	Title COIN CELL HOLDER FOR CR1220	Date 4/16/10	
Fractional ± .8 (.030)		Drawing Number BC501SM	
Angular + 2° - 1°			