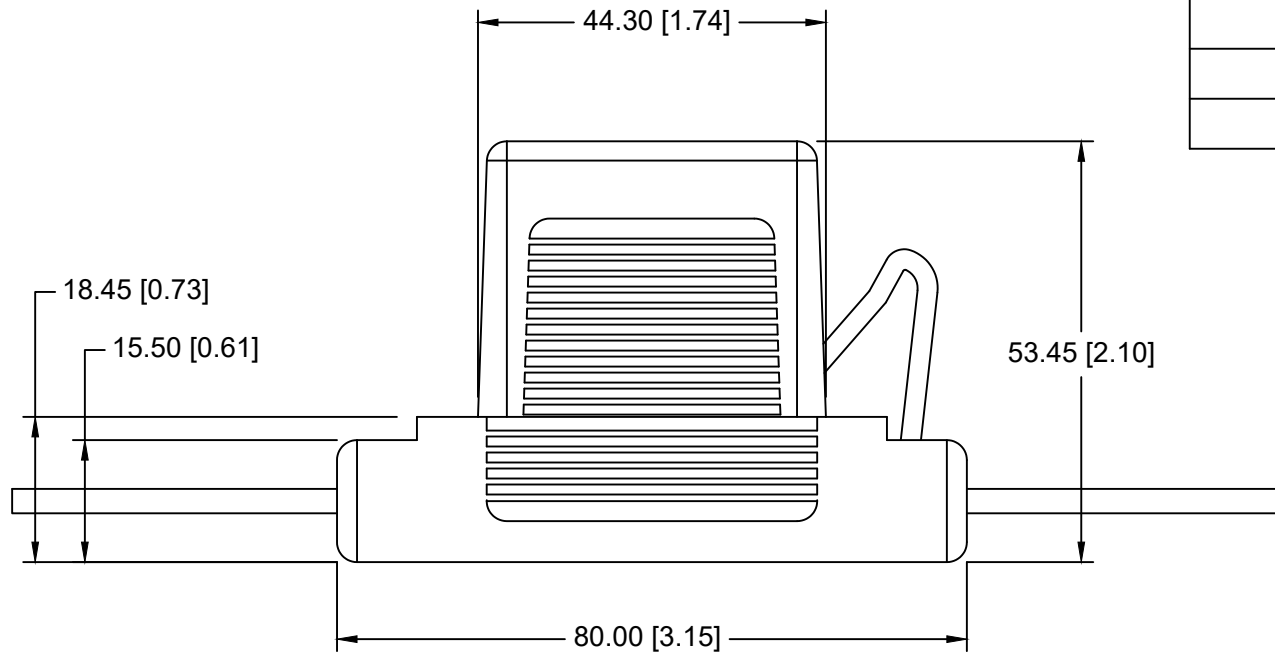



Date	SYM	REVISION RECORD	AUTH	DR.	CK.
04/12/19	A	UPDATED TO "ROHS COMPLIANT"	T.B.	B.S.	



NOTES:

1. MATERIAL:  
HOUSING : PVC ,UL94V-0, FLEX 60GPVC, UL FILE NO. E174939
2. WIRE: RED WIRE, 8 AWG, UL 1028, 600V, 105°C,  
FLAME RATED VW-1, UL FILE NO. E77981 OR ENGINEERING  
APPROVED EQUIVALENT
3. RATED CURRENT: 80A
4. ACCEPTS MAXI/ATX FUSES
5. INSULATION RESISTANCE AT 500V DC: 100MΩ MIN
6. CONTACT RESISTANCE: 5mΩ AT 1A DC
7. DIELECTRIC STRENGTH FOR 60 SECONDS: AC 2000V MIN  
ROHS COMPLIANT

Tolerance (Except as noted)	 <b>Memory Protection Devices, Inc</b> 200 Broad Hollow Road, Farmingdale, New York 11735		
	decimal ±.5 (.020)	Scale	Drawn By B.S. Approved By T.B.
Fractional ± .8 (.030)	Title INLINE FUSE HOLDER		
Angular ± 3°	Date 04/12/19	Drawing Number BF353L	