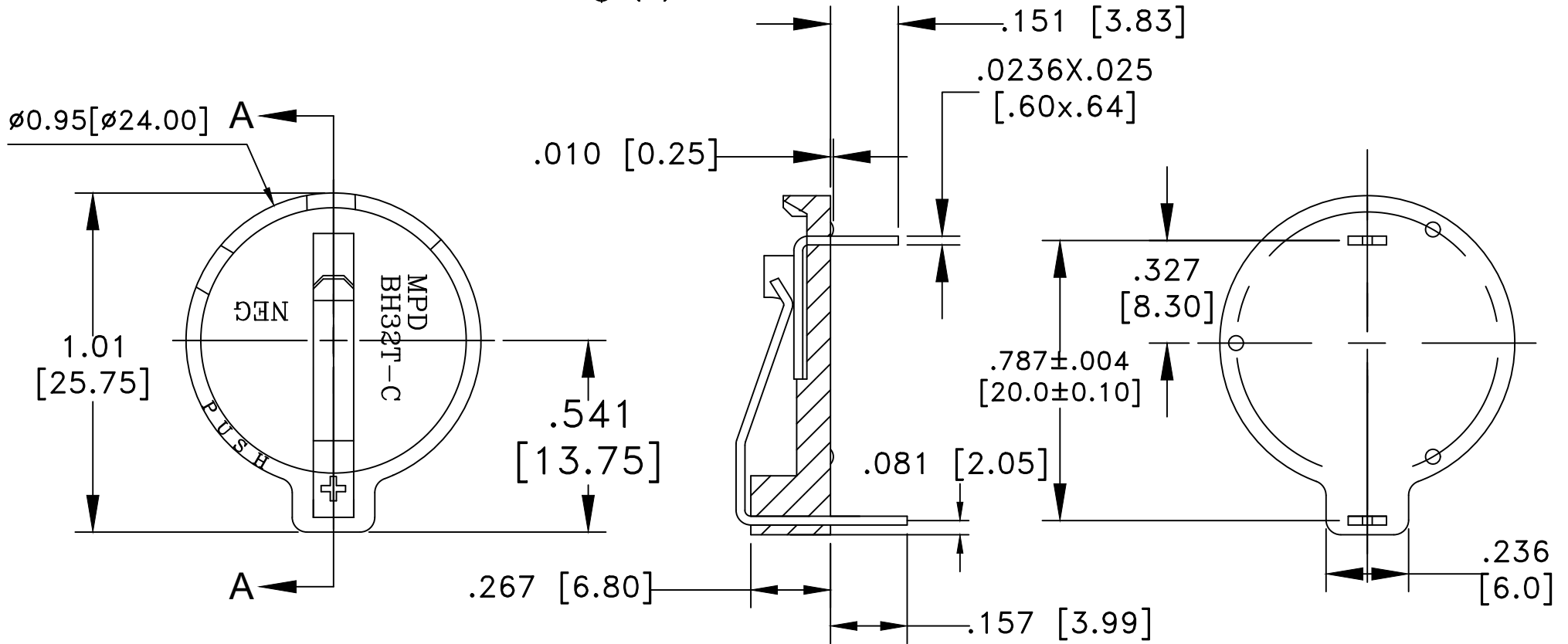
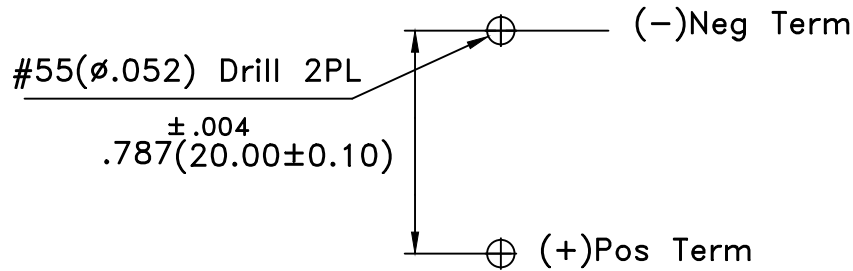



PCB LAYOUT

Date	SYM	REVISION RECORD	AUTH	DR.	CK.
6/13/14	D	UPDATED TO ROHS 2 COMPLIANT	T.B.	B.S.	
12/04/15	E	UPDATED MATERIAL SPECIFICATION	T.B.	B.S.	
10/12/18	F	REMOVED SHOULDER BAR FROM DRAWING	T.B.	B.S.	



SPECIFICATIONS

- *Holder material- LCP, 30% Glass Filled, UL94V-0
- *Flammability rating-UL94V-0, UL file no. E344082
- *Contacts :
 Positive: 0.0236" Thick PHOS-BRONZE, Nickel Plated
 Negative: spring tempered Stainless Steel, Nickel Plated
- *Temperature Range: -40°C to +240°C
- ROHS 2 COMPLIANT
- *Batteries: CR2320, CR2325, CR2330, CR2335

Tolerance (Except as noted)	 Memory protection Devices, Inc 200 Broad Hollow Road, Farmingdale, New York 11735		
decimal ±.5 (.020)		Scale	Drawn By B.S.
Fractional ± .8 (.030)	Title CR2032 OR BR2032 BATTERY HOLDER		
Angular ± 3°	Date 10/12/18	Drawing Number BH32T-C-HITE	
		Approved By T.B.	