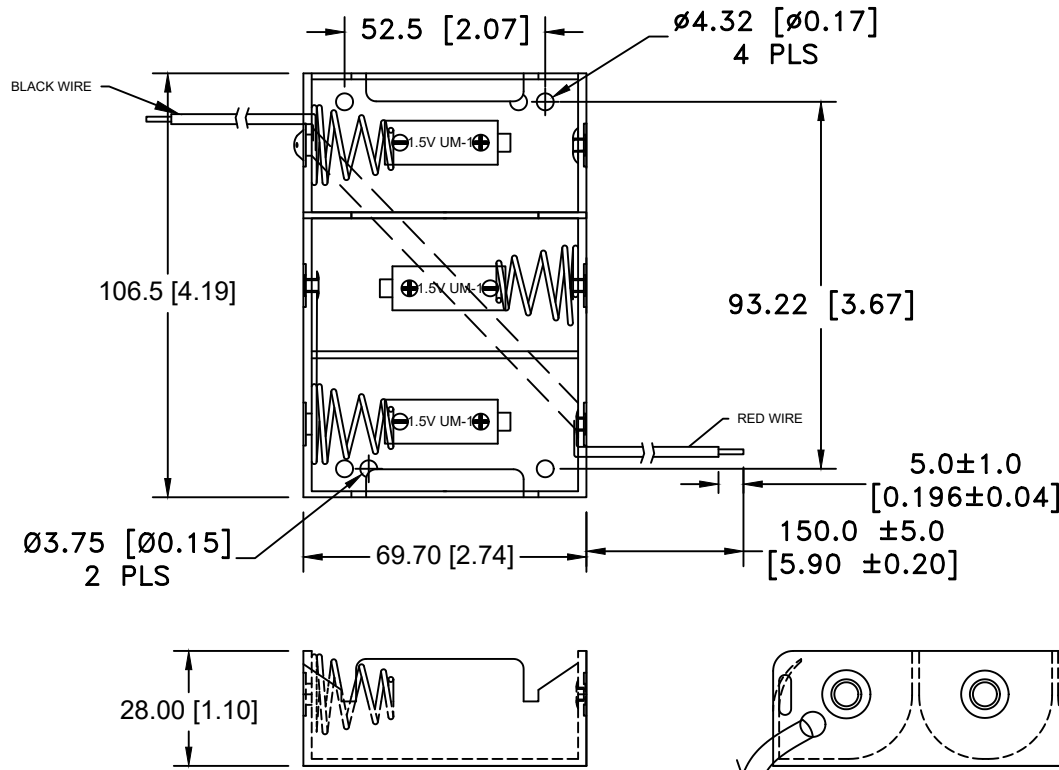


Date	SYM	REVISION RECORD	AUTH	DR.	CK.
9/19/14	A	REDRAWN IN AUTOCAD UPDATED TO ROHS 2 COMPLIANT	T.B.	B.S.	
3/03/17	B	DIM. 69.70 WAS 70.50 DIM. 28.00 WAS 28.30 DIM. 150.0 WAS 152.4 DIM. 5.0 WAS 3.18	T.B.	B.S.	
3/07/19	C	ADDED 2 HOLES DIM. Ø3.75	T.B.	B.S.	



NOTES:

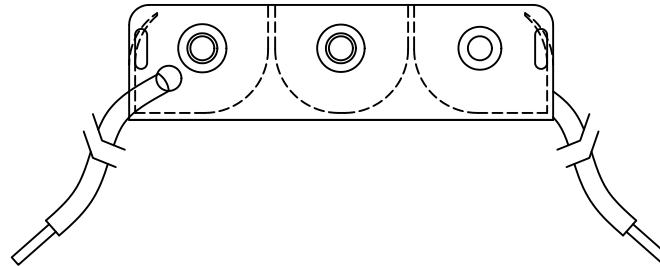
1. MATERIAL:


HOUSING : BLACK POLYPROPYLENE  
 FLAMMABILITY RATING -UL94-HB, UL FILE NO. E216959  
 TEMPERATURE RANGE: -10°C to +100°C  
 RIVETS: BRASS, NICKLE PLATED.  
 SPRING: SPRING STEEL, NICKLE PLATED.  
 WIRES: 26 AWG, UL1007, CSA-TR-64, 300V, 80°C  
 CONTACT RESISTANCE: UNDER 50mΩ FOR +/- CONTACTS PER  
 EIA-540J000

MOUNTING INSTRUCTION:

USE 6-32 MACHINE SCREWS.  
 ALSO ADHESIVES AND DOUBLE SIDED TAPES WORK WELL.

ROHS COMPLIANT.



Tolerance (Except as noted)	 <b>Memory Protection Devices, Inc</b> 200 Broad Hollow Road, Farmingdale, New York 11735		
decimal ±.5 (.020)		Scale	Drawn By B.S.
Fractional ± .8 (.030)	Title THREE "D" CELL HOLDER WITH WIRE LEADS		
Angular ± 3°	Date 03/07/19	Drawing Number BH3DW	
		Approved By T.B.	