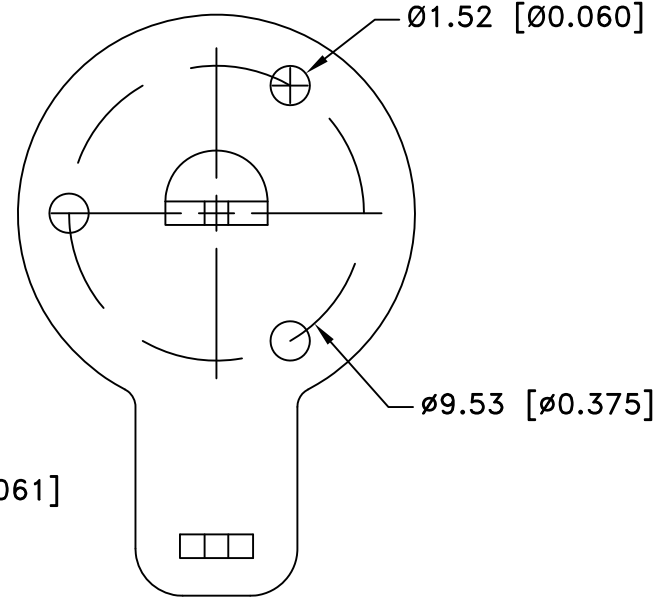
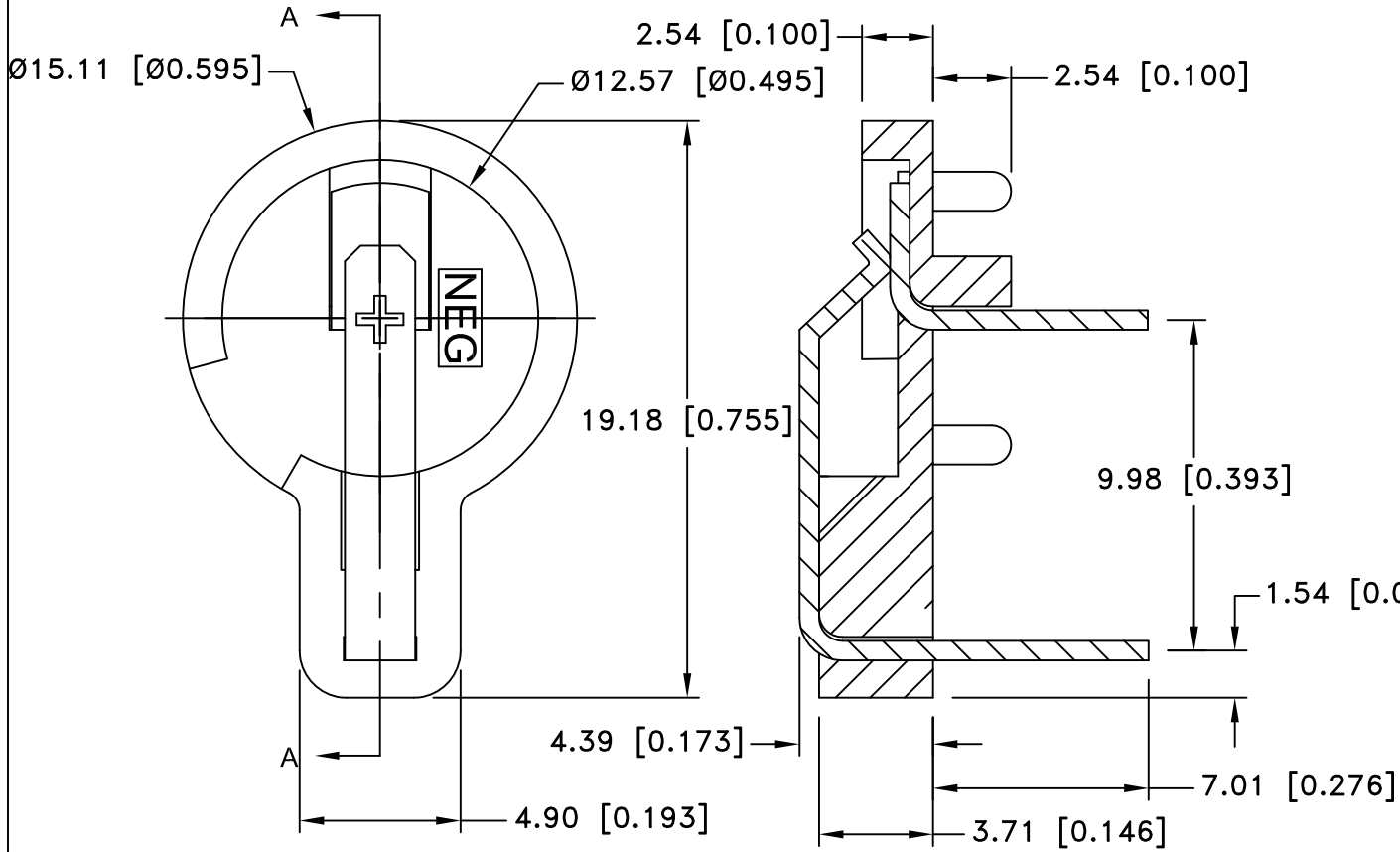


**PCB LAYOUT**


Date	SYM	REVISION RECORD	AUTH	DR.	CK.
03/26/05	B	4.39 [0.173] WAS 4.34 [0.171]	T.B.	B.S.	
1/07/06	C	ADDED "ROHS COMPLIANT"	T.B.	B.S.	
2/25/06	D	LEAD FREE WAS Sn-Pb PLTD.	T.B.	B.S.	
03/09/12	E	REMOVED SOLDER TAILS FROM NOTE	T.B.	B.S.	
12/06/13	F	Updated Positive contact cross section view to mach part	T.B.	B.S.	



**NOTES:**

**MATERIAL:**

- HOLDER: PBT POLYESTER, BLACK, UL94V-0
- POS. CONT.: PHOSPHOR BRONZE, SPRING TEMPER, NICKEL PLATED.
- NEG. CONT.: PHOSPHOR BRONZE, SPRING TEMPER, NICKEL PLATED.
- ROHS 2 COMPLIANT

Tolerance (Except as noted)	 <b>Memory Protection Devices, Inc</b> 200 Broad Hollow Road, Farmingdale, New York 11735	Scale	Drawn By B.S.
			Approved By T.B.
decimal ±.5 (.020)	Title <b>COIN CELL HOLDER</b>		
Fractional ± .8 (.030)		Date 12/06/13	Drawing Number BH501
Angular ± 3°			