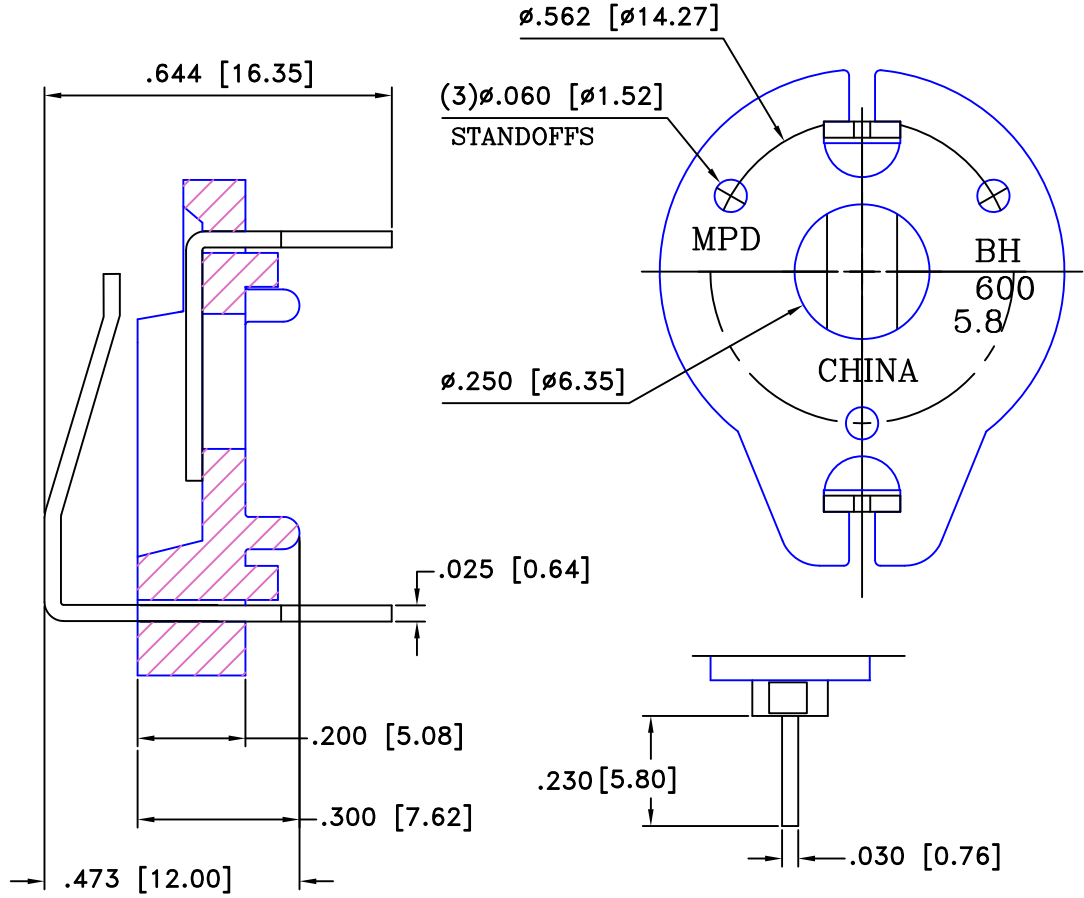
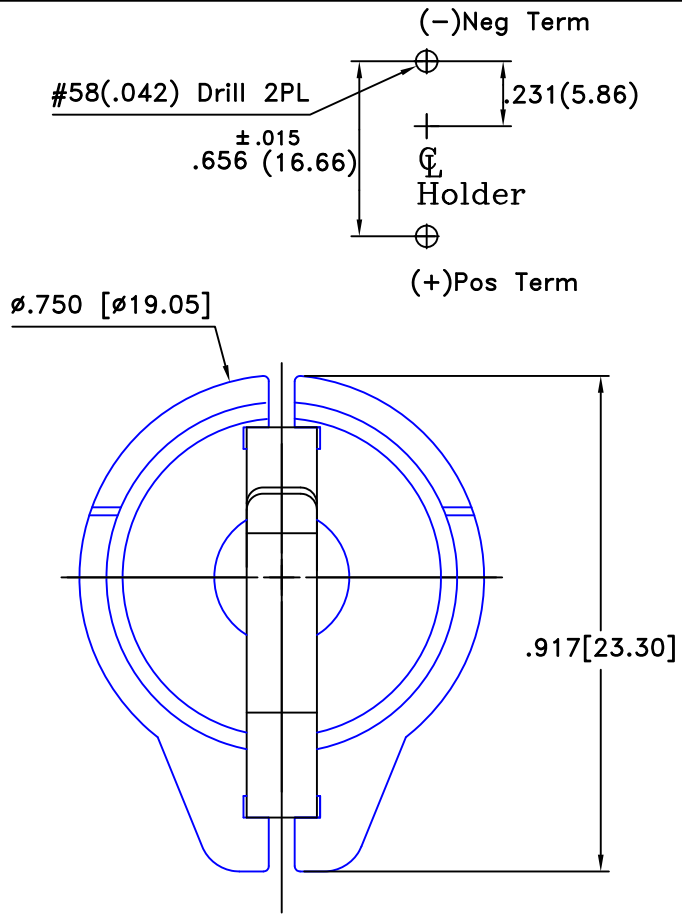



Date	SYM	REVISION RECORD	AUTH	DR.	CK.
11/07/14	D	UPDATED TO ROHS 2 COMPLIANT	T.B.	B.S.	
12/11/15	E	ADDED WORD STANDOFFS AT DIM. Ø0.060	T.B.	B.S.	



Square Contact Detail

SPECIFICATIONS

- *Holder material—Kopa 66, 30% glass filled, color Black
 - *Flammability rating—UL94V-0
 - *Contacts—Stainless steel Spring Temper, Gold Flash Plating
 - *Dielectric strength—560volts/mil at 25°C for 5seconds
 - *Temperature range— -55° to +180°C
 - *Resistance to solvents—Xylene,ethyl,butyl,methyl&proptl alcohol;ethyl acetate,heptane;toluene;refrigerant
- ROHS 2 COMPLIANT

Tolerance (Except as noted)	 Memory protection Devices, Inc 200 Broad Hollow Road, Farmingdale, New York 11735	Scale XX	Drawn By B.S.
			Approved By T.B.
decimal ±.5 (.020)	Title 16mm DIA. x 5.8mm THICK COIN CELL HOLDER		
Fractional ± .8 (.030)	Date 12/11/15	Drawing Number BH600-5.8-G	
Angular ± 3°			