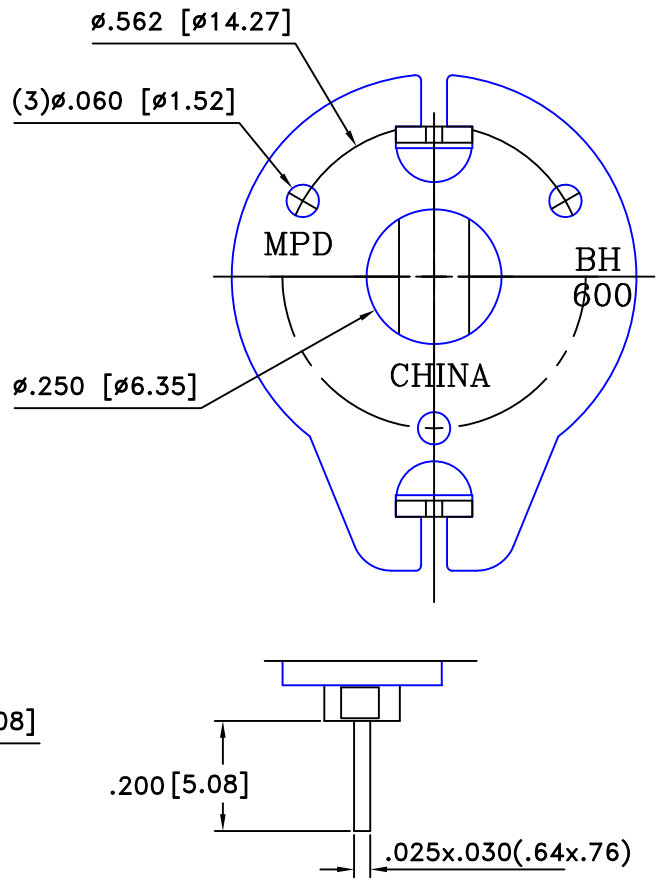
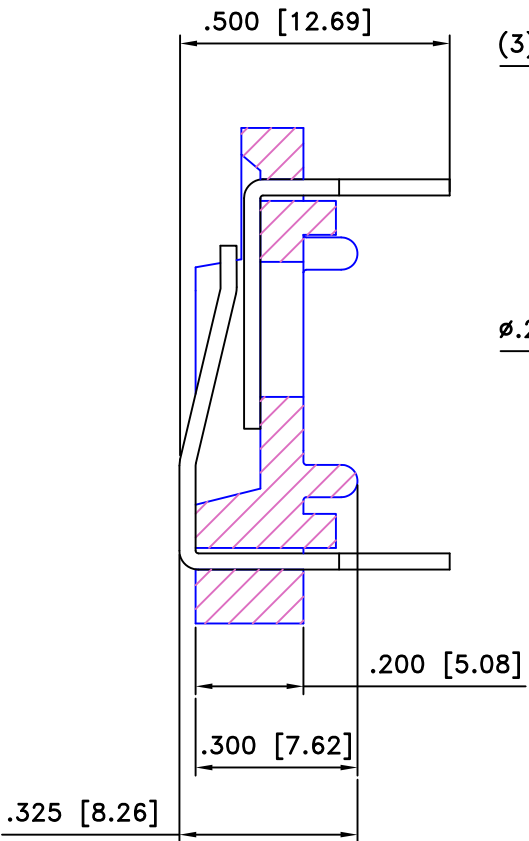
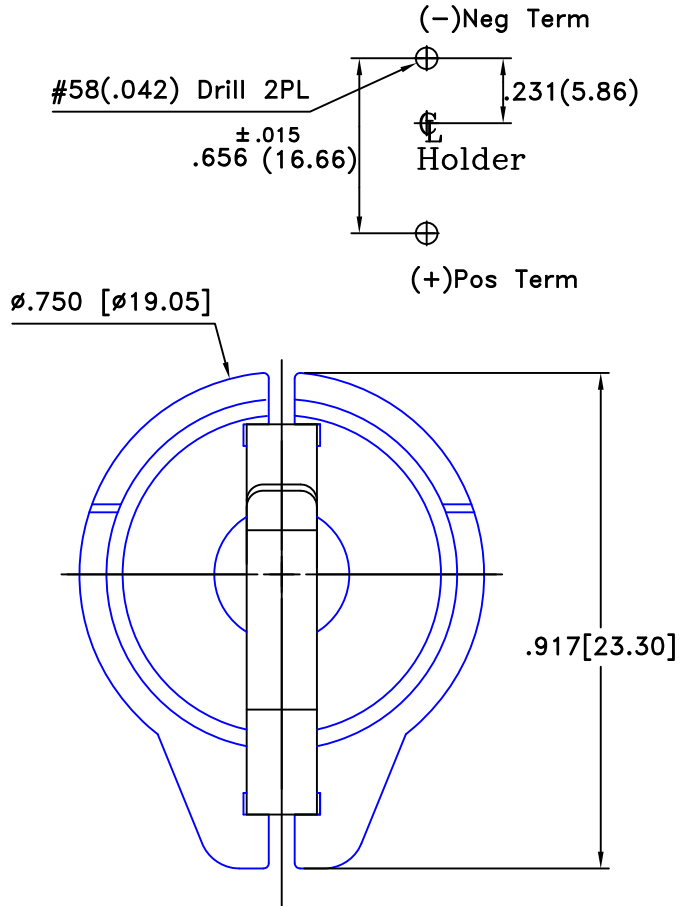



Date	SYM	REVISION RECORD	AUTH	DR.	CK.
11/04/11	B	CONTACT MATERIAL WAS PHOSPHOR BRONZE	T.B.	B.S.	
11/07/14	C	UPDATED TO ROHS 2 COMPLIANT	T.B.	B.S.	



Square Contact Detail

SPECIFICATIONS

- *Holder material—thermoplastic, black PBT
 - *Flammability rating—UL94V-0, File No.88499(M)
 - *Contacts—Stainless Steel spring temper
Gold Flash Finish
 - *Dielectric strength—560volts/mil at 25°C for 5seconds
 - *Temperature range— -55° to +180°C
 - *RESistance to solvents—Xylene,ethyl,butyl,methyl&proptl alcohol;ethyl acetate,heptane;toluene;refrigerant
- ROHS 2 COMPLIANT

Tolerance (Except as noted)	 Memory protection Devices, Inc 200 Broad Hollow Road, Farmingdale, New York 11735	Scale	
		decimal	Scale 4=1
±.5 (.020)		Approved By T.B.	
Fractional	Title		
± .8 (.030)	BR/CR/DL 1620/1632 COIN BATTERY HOLDER		
Angular	Date	Drawing Number	
± 3°	11/07/14	BH600-G	