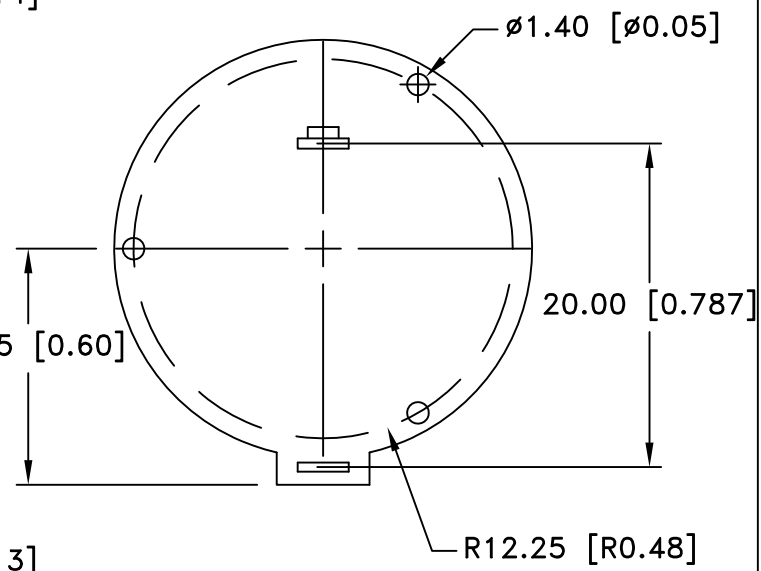
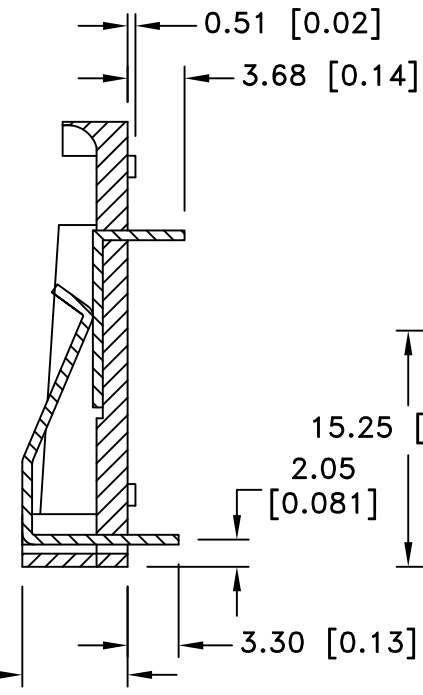
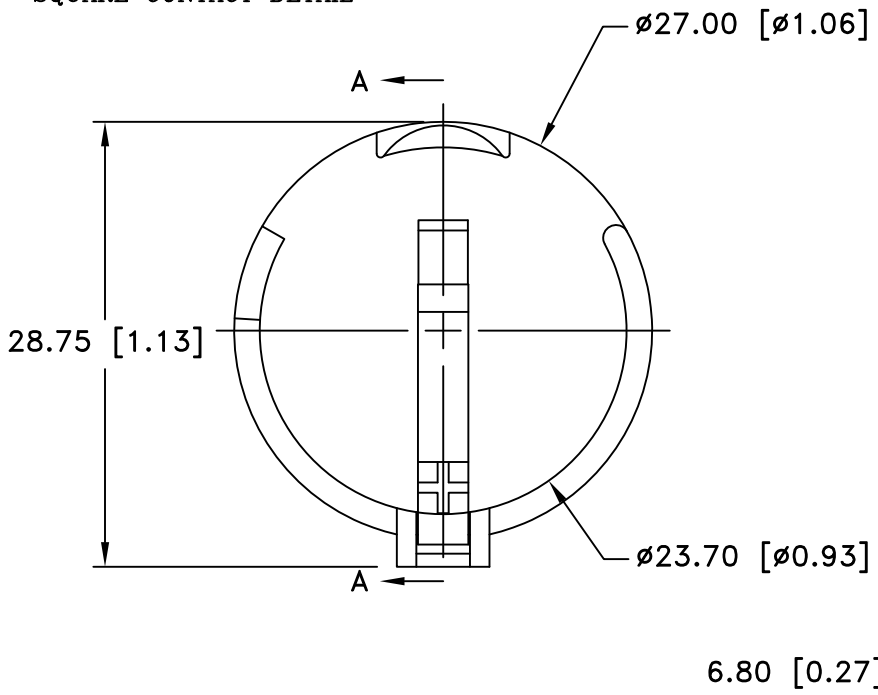



Date	SYM	REVISION RECORD	AUTH	DR.	CK.
10/22/05	D	Added "ROHS COMPLIANT"	T B	B S	
7/08/06	E	Updated Contact Details	T B	B S	
1/13/07	F	Added dim. 20.00 & 15.25	T B	B S	
1/11/08	G	Dim. 3.90 was 3.68 Dim. 0.70 was 0.64	T B	B S	
11/14/14	H	Updated to ROHS 2 Compliant	T B	B S	



NOTES:
MATERIAL:
 HOLDER: PBT, BLACK, UL94V-0, UL FILE NO. E53829
 POS. CONT.: PHHOS-BRONZE, 0.0236" THICK, NICKEL PLATED
 NEG. CONT.: 302/304 STN. STL., 0.0236" THICK, NICKEL PLATED
 TEMPERATURE RANGE: -40°C TO 140°C
 ROHS 2 COMPLIANT

Tolerance (Except as noted)	 Memory Protection Devices, Inc 200 Broad Hollow Road, Farmingdale, New York 11735	Scale	Drawn By B.S.
			Approved By T.B.
decimal ±.5 (.020)	Title 23mm BATTERY HOLDER WITH EASY IN-OUT	Date 11/14/14	
Fractional ± .8 (.030)		Drawing Number BH908T-C	
Angular ± 3°			