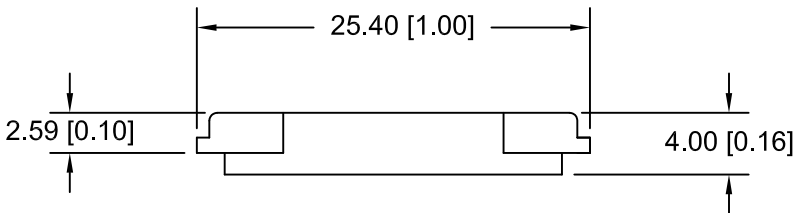
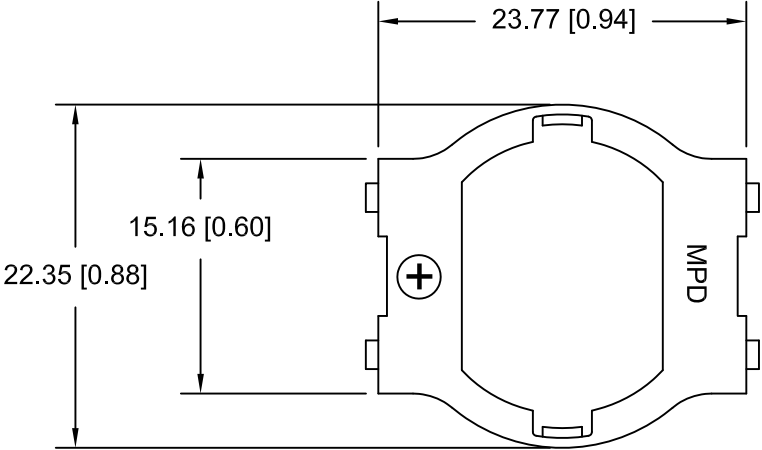



| Date     | SYM | REVISION RECORD   | AUTH | DR.  | CK. |
|----------|-----|---|------|------|-----|
| 02/17/12 | A   | Updated Specification   | T.B. | B.S. |     |
| 03/09/12 | B   | Updated UL Rating   | T.B. | B.S. |     |
| 07/25/14 | C   | Updated to ROHS 2 Compliant<br>Updated UL File no. and added<br>Temp. Range | T.B. | B.S. |     |
| 12/11/15 | D   | Added Patent no.  | T.B. | B.S. |     |



**SPECIFICATIONS:**

\* Material- Polypropylene, High environment stress crack resistance,  
 Color Clear  
 Flammability rating: UL94-HB, file no. E216959  
 Temperature Range: -40°C to +80°C  
 ROHS 2 COMPLIANT

PAT: 9,192,059

|                           |   |                                   |               |
|---------------------------|---|-----------------------------------|---------------|
| Tolerance<br>(Inches)     |  <b>Memory Protection Devices, Inc</b><br>200 Broad Hollow Road, Farmingdale, New York 11735 |                                   |               |
| Decimal<br>±.5 (.020)     |   | Scale                             | Drawn By B.S. |
| Fractional<br>± .8 (.030) | Title COVER FOR BHSD-2032   |                                   |               |
| Angular<br>± 3°           | Date<br>12/11/15  | Drawing Number<br>BHSD-2032-COVER |               |
|                           |   | Approved By T.B.                  |               |