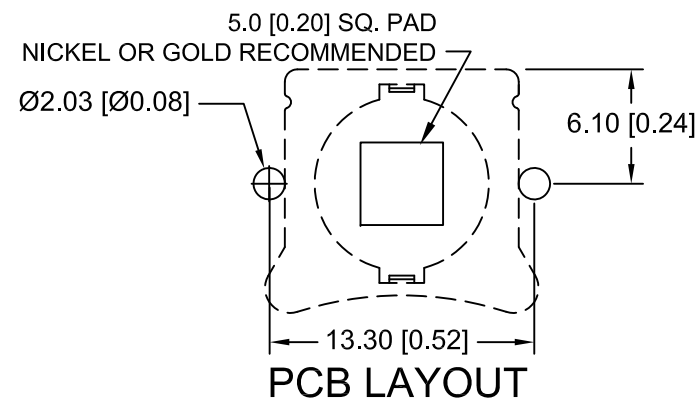
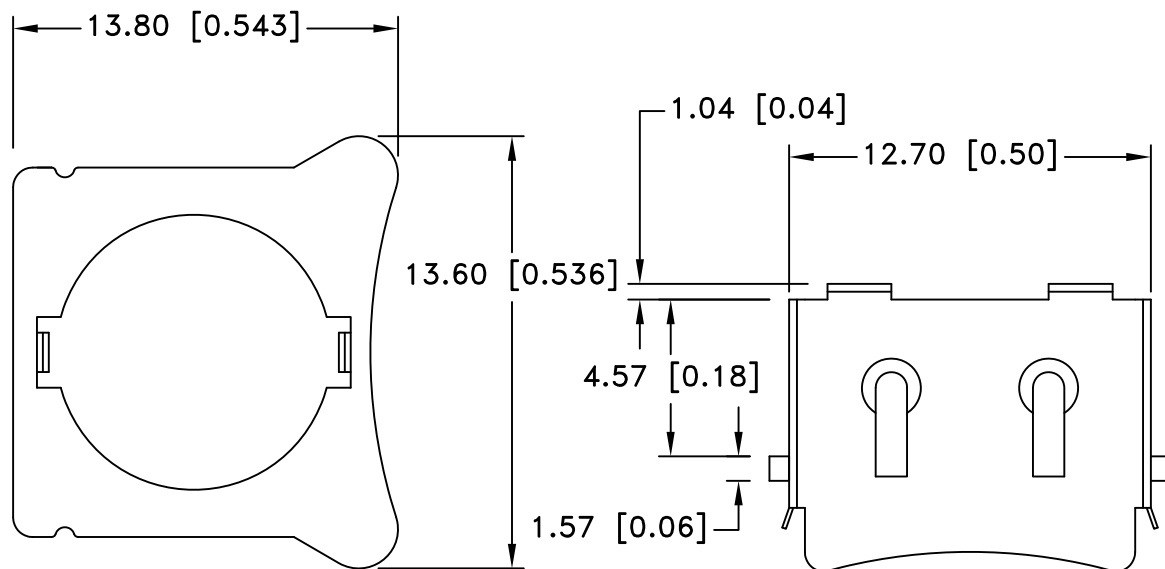
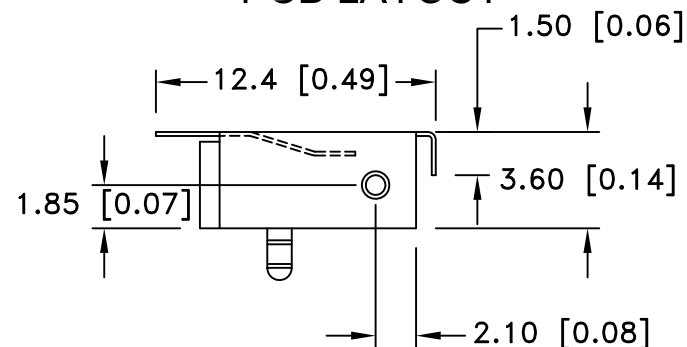
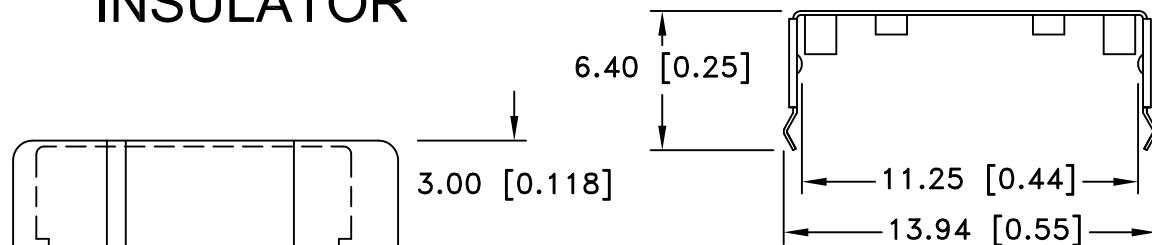


| Date     | SYM | REVISION RECORD                       | AUTH | DR.  | CK. |
|----------|-----|---------------------------------------|------|------|-----|
| 3/04/11  | C   | ADDED DIM. 4.57 AND 1.04              | T.B. | B.S. |     |
| 04/20/12 | D   | ADDED INSULATOR OUTLINE IN PCB LAYOUT | T.B. | B.S. |     |
| 11/14/14 | E   | UPDATED TO ROHS 2 COMPLIANT           | T.B. | B.S. |     |
| 12/11/15 | F   | CHANGED MICRO SEC. TO MILLISECONDS    | T.B. | B.S. |     |




### INSULATOR



#### SPECIFICATIONS:

- \* Holder material- Polypropylene, AV161 PP, Off White
- \* UL Flammability Rating: UL 94-HB File No. E108370
- \* Contacts : Phosphor Bronze C5191, Nickel Plated 80-150u thickness
- \* Vibration test: 10-50-10 hz swept in 60 seconds  
x,y,z direction: 1 hour each direction
- \* Result: no dislodgement of the cell or damage  
no discontinuity over 10 milliseconds
- \* Shock test: half sine wave acceleration 150g.  
6 milliseconds 3 shock pulses each direction per axis,  
total of 18 pulses
- \* Result: no evidence of physical damage
- \* ROHS 2 COMPLIANT

|                                |   |                                |                  |
|--------------------------------|---|--------------------------------|------------------|
| Tolerance<br>(Except as noted) |  <b>Memory Protection Devices, Inc</b><br>200 Broad Hollow Road, Farmingdale, New York 11735 | Scale                          | Drawn By B.S.    |
|                                |   |                                | Approved By T.B. |
| decimal<br>±.5 (.020)          | Title<br>CR1025 BATTERY RETAINER WITH INSULATOR   | Date<br>12/11/15               |                  |
| Fractional<br>± .8 (.030)      |   | Drawing Number<br>BHX1-1025-PC |                  |
| Angular<br>± 3°                |   |                                |                  |