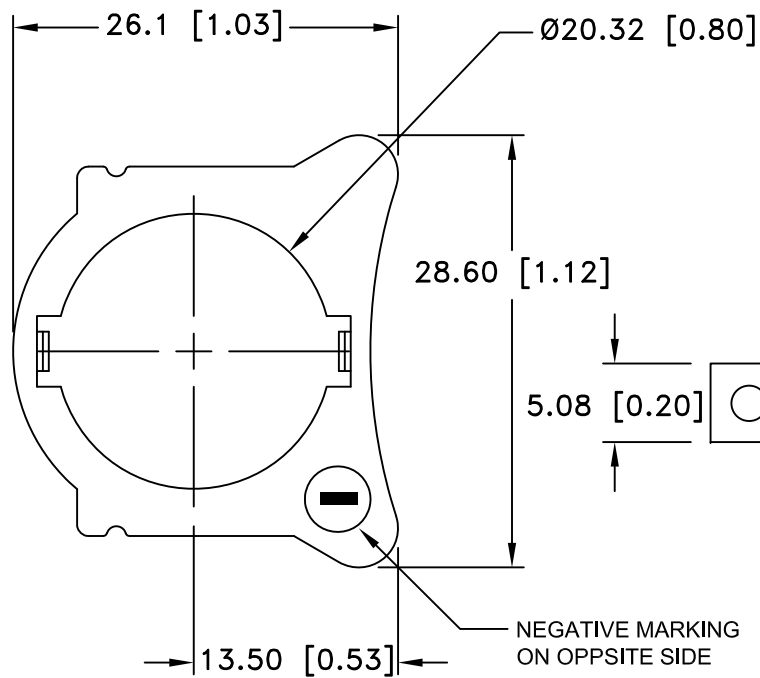
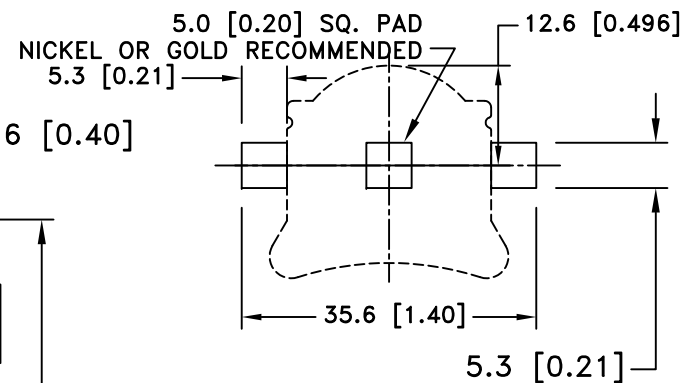
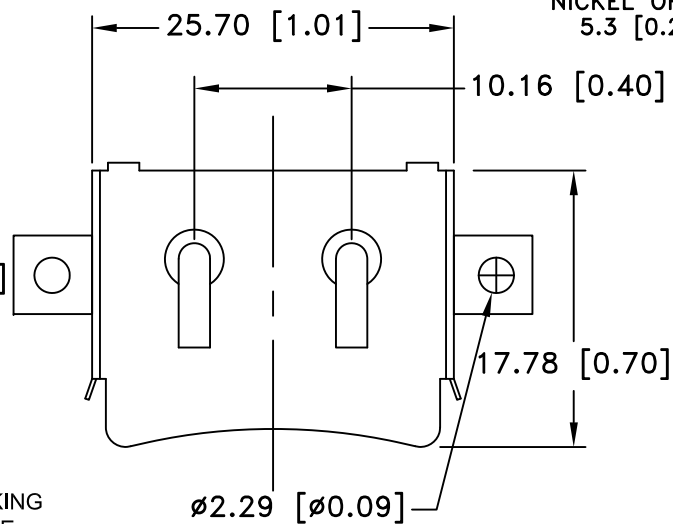
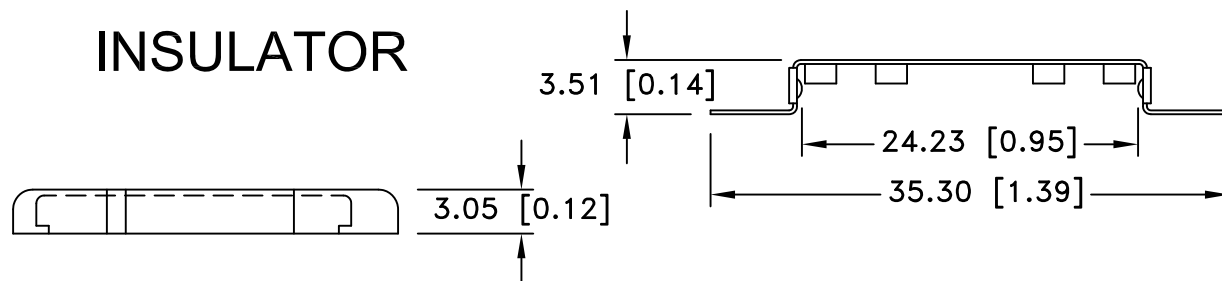


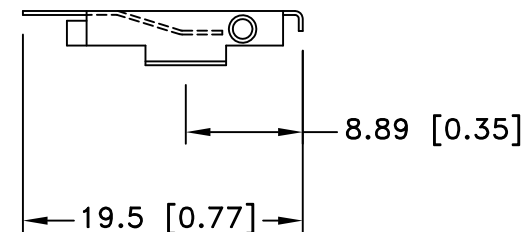
Date	SYM	REVISION RECORD	AUTH	DR.	CK.
11/14/14	F	UPDATED TO ROHS 2 COMPLIANT	T.B.	B.S.	
12/11/15	G	CHANGED MICRO SEC. TO MILLISECONDS	T.B.	B.S.	



INSULATOR




PCB LAYOUT



SPECIFICATIONS:

- * Holder material- Polypropylene, AV161 PP, Off White
- * UL Flammability Rating: UL 94-HB File No. E108370
- * Contacts : Phosphor Bronze C5191, Nickel Plated 80-150u thickness
- * Vibration test: 10-50-10 hz swept in 60 seconds
x,y,z direction: 1 hour each direction
- * Result: no dislodgement of the cell or damage
no discontinuity over 10 milliseconds
- * Shock test: half sine wave acceleration 150g.
6 milliseconds 3 shock pulses each direction per axis,
total of 18 pulses
- * Result: no evidence of physical damage
- * ROHS 2 COMPLIANT

Tolerance (Except as noted)	 Memory Protection Devices, Inc 200 Broad Hollow Road, Farmingdale, New York 11735	Scale	Drawn By B.S.
			Approved By T.B.
decimal ±.5 (.020)	Title CR2325 SURFACE MOUNT BATTERY RETAINER WITH INSULATOR		
Fractional ± .8 (.030)		Date 12/11/15	Drawing Number BHX1-2325-SM
Angular ± 3°			