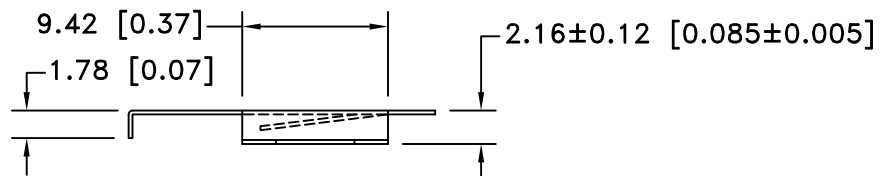
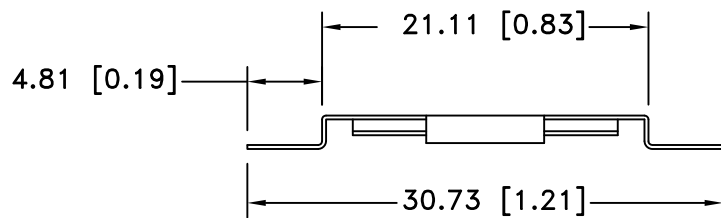
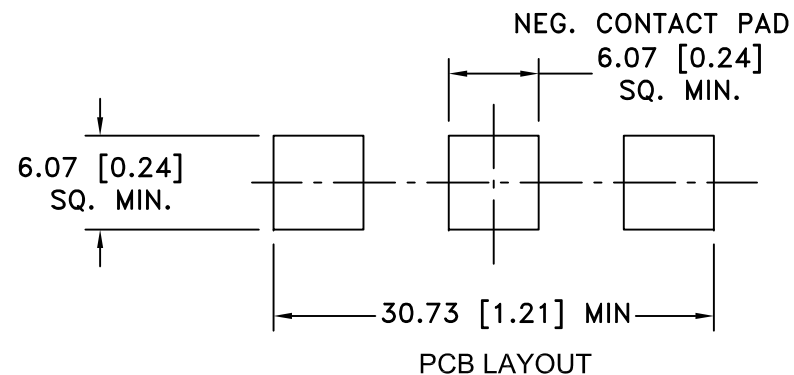
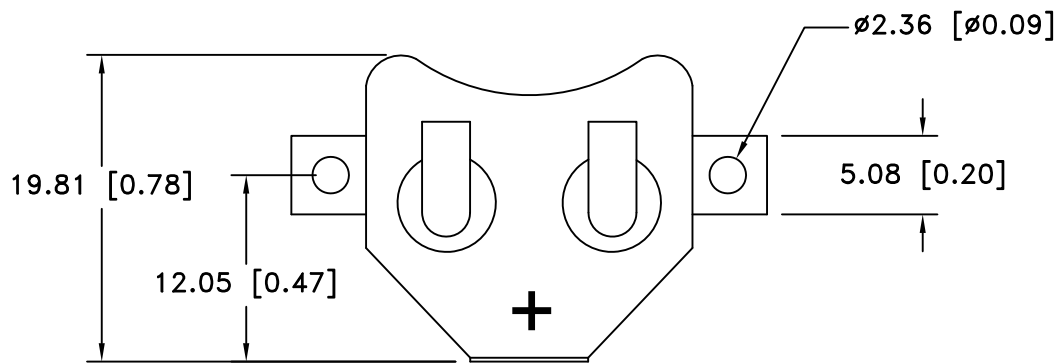



Date	SYM	REVISION RECORD	AUTH	DR.	CK.
1/21/06	A	ADDED "ROHS COMPLIANT"	T.B.	B.S.	
10/10/08	B	UPDATED PCB LAYOUT	T.B.	B.S.	
10/17/08	C	ADDED DIM. 12.05	T.B.	B.S.	
3/07/14	D	UPDATED TO ROHS 2 COMPLIANT	T.B.	B.S.	



NOTES:

- MATERIAL:
0.25mm PHOSPHOR BRONZE, NICKEL PLTD.
- ROHS 2 COMPLIANT

Tolerance (Except as noted)	 Memory Protection Devices, Inc 200 Broad Hollow Road, Farmingdale, New York 11735	Scale	Drawn By B.S.
			Approved By T.B.
decimal ±.5 (.020)	Title COIN CELL RETAINER FOR 20mm DIA. BATTERIES	Date 3/07/14	
Fractional ± .8 (.030)		Drawing Number BK-5067	
Angular ± 3°			

CELL SIZE	RETAINS BATTERY NUMBERS
20mm	BR2016, CR2016, DL2016