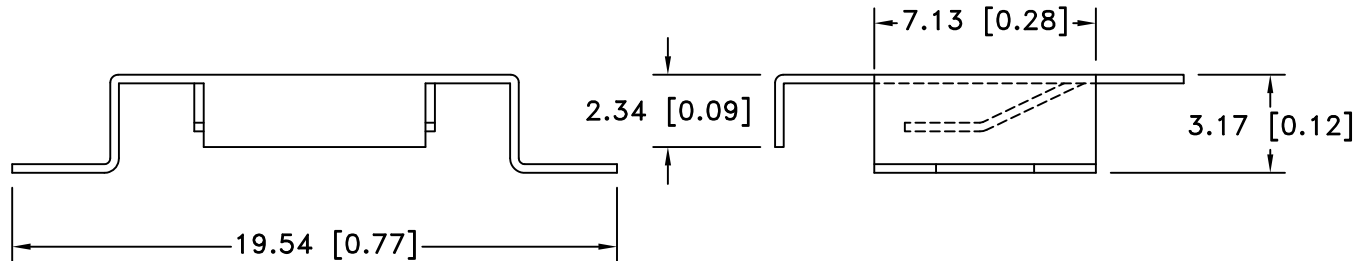
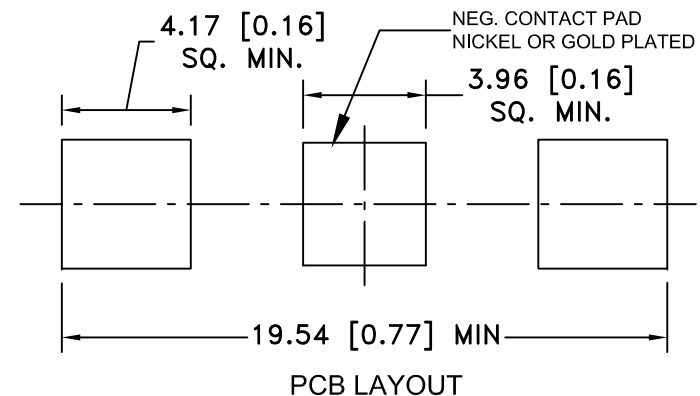
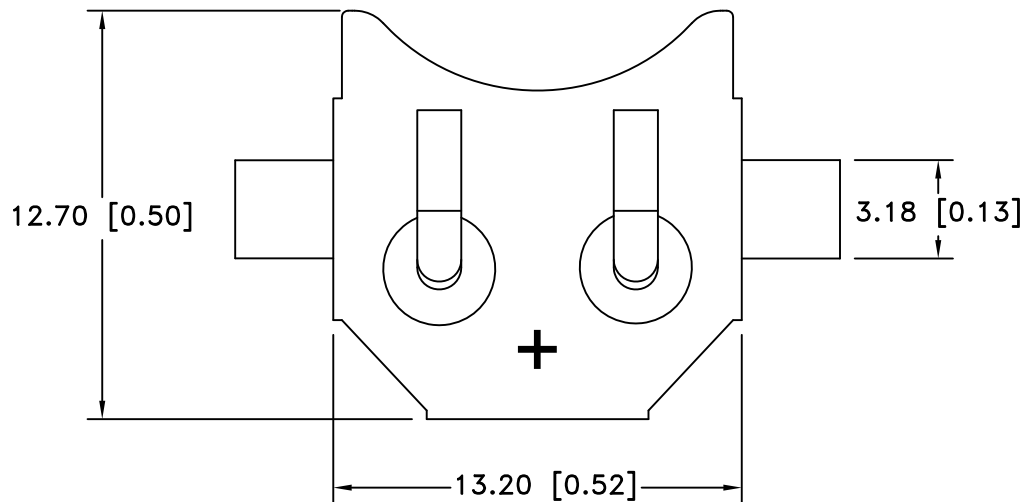



Date	SYM	REVISION RECORD	AUTH	DR.	CK.
10/10/08	C	UPDATED PCB LAYOUT	T.B.	B.S.	
7/09/09	D	12.70 WAS 13.20 REMOVED HOLES Ø1.19 FROM TABS	T.B.	B.S.	
3/07/14	E	UPDATED TO ROHS 2 COMPLIANT	T.B.	B.S.	
05/06/16	F	ADDED BATTERY NUMBER NOTE FOR NEG. CONTACT	T.B.	B.S.	



NOTES:

- MATERIAL:
0.25mm PHOSPHOR BRONZE, NICKEL PLTD.
- ROHS 2 COMPLIANT

Tolerance (Except as noted)	 Memory Protection Devices, Inc 200 Broad Hollow Road, Farmingdale, New York 11735	Scale	Drawn By B.S.
			Approved By T.B.
decimal ±.5 (.020)	Title COIN CELL RETAINER FOR 12mm DIA. BATTERIES		
Fractional ± .8 (.030)		Date 05/06/16	Drawing Number BK-885
Angular ± 3°			

CELL SIZE	RETAINS BATTERY NUMBERS
12mm	BR1216, CR1216, BR1220, CL1220, CR1220, BR1225, CR1225