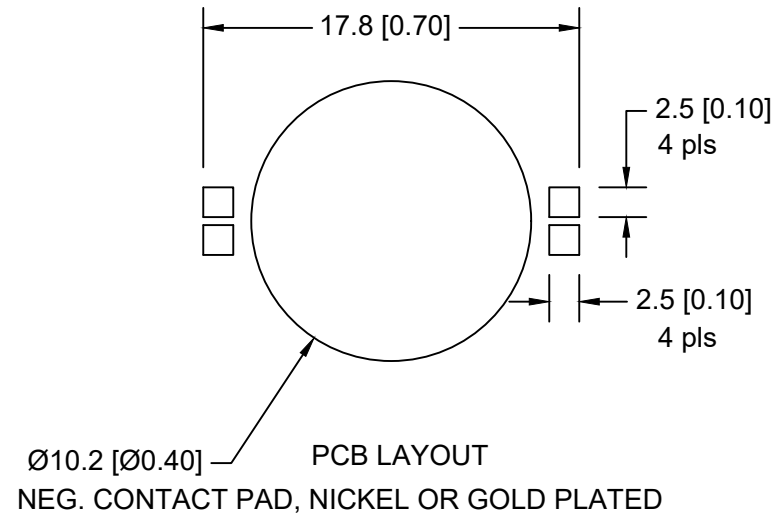
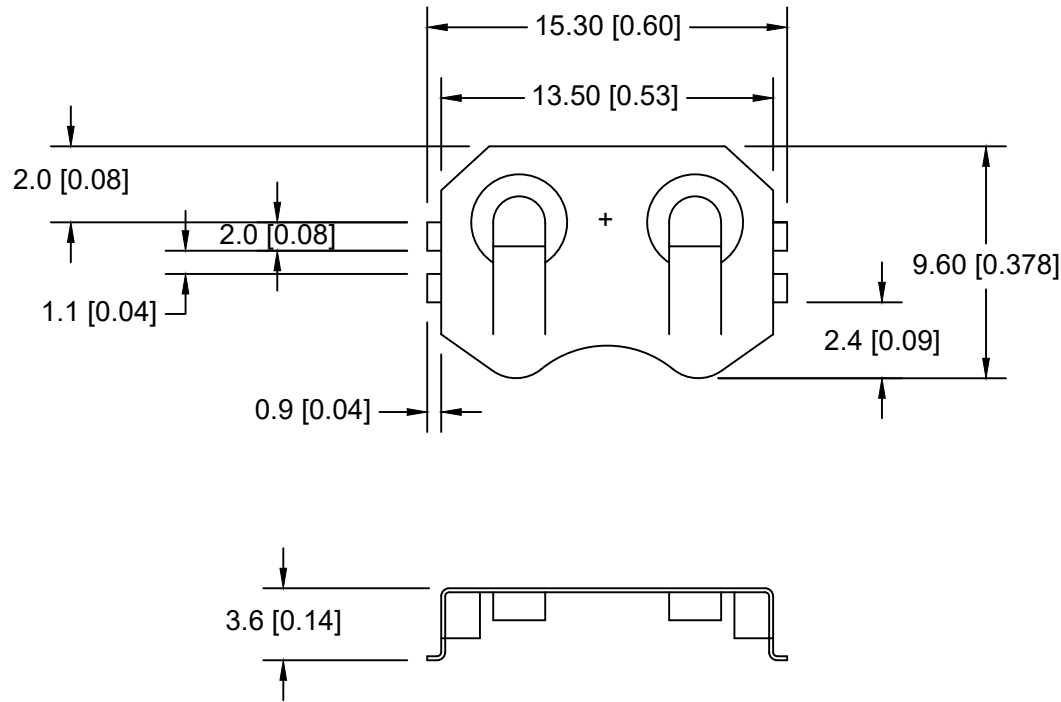



Date	SYM	REVISION RECORD	AUTH	DR.	CK.
12/11/15	A	Changed plating	T.B.	B.S.	
05/06/16	B	Updated Title	T.B.	B.S.	
07/19/18	C	Dim. 9.60 was 9.50 Changed Positive contact pad size	T.B.	B.S.	
08/14/18	D	Added Drop test result	T.B.	B.S.	



**NOTES:**

- MATERIAL:
  - 0.25mm PHOSPHOR BRONZE, NICKEL PLATED OVERALL.
  - ROHS 2 COMPLIANT
- TEMPERATURE RANGE: -40°C TO +270°C
- \* VIBRATION TEST: 10-50-10 HZ SWEEPED IN 60 SECONDS
  - X,Y,Z DIRECTION: 1 HOUR EACH DIRECTION
- \* RESULT: NO DISLODGE MENT OF THE CELL OR DAMAGE  
NO DISCONTINUITY OVER 10 MICRO-SECONDS
- \* SHOCK TEST: HALF SINE WAVE ACCELERATION 150G.
  - 6 MILLISECON DS
  - 3 SHOCK PULSES EACH DIRECTION PER AXIS, TOTAL OF 18 PULSES
- \* RESULT: NO EVIDENCE OF PHYSICAL DAMAGE
- \* DROP TEST: MOUNTED ON BOARD AND DROPPED 1 TIME PER DIRECTION FROM 1m HIGH TO WOODEN FLOOR
- \* RESULTS: NO DISLODGE MENT OF THE CELL, NO DAMAGE TO THE HOLDERS

WEIGHT: 0.37grams

Tolerance (Except as noted)	 <b>Memory Protection Devices, Inc</b> 200 Broad Hollow Road, Farmingdale, New York 11735		
	decimal $\pm .1$ (.004)	Scale	Drawn By B.S. Approved By T.B.
Fractional $\pm .2$ (.008)	Title CR1216,1220,1225 BATTERY RETAINER		
Angular $\pm 1^\circ$	Date 08/14/18	Drawing Number BK-916	