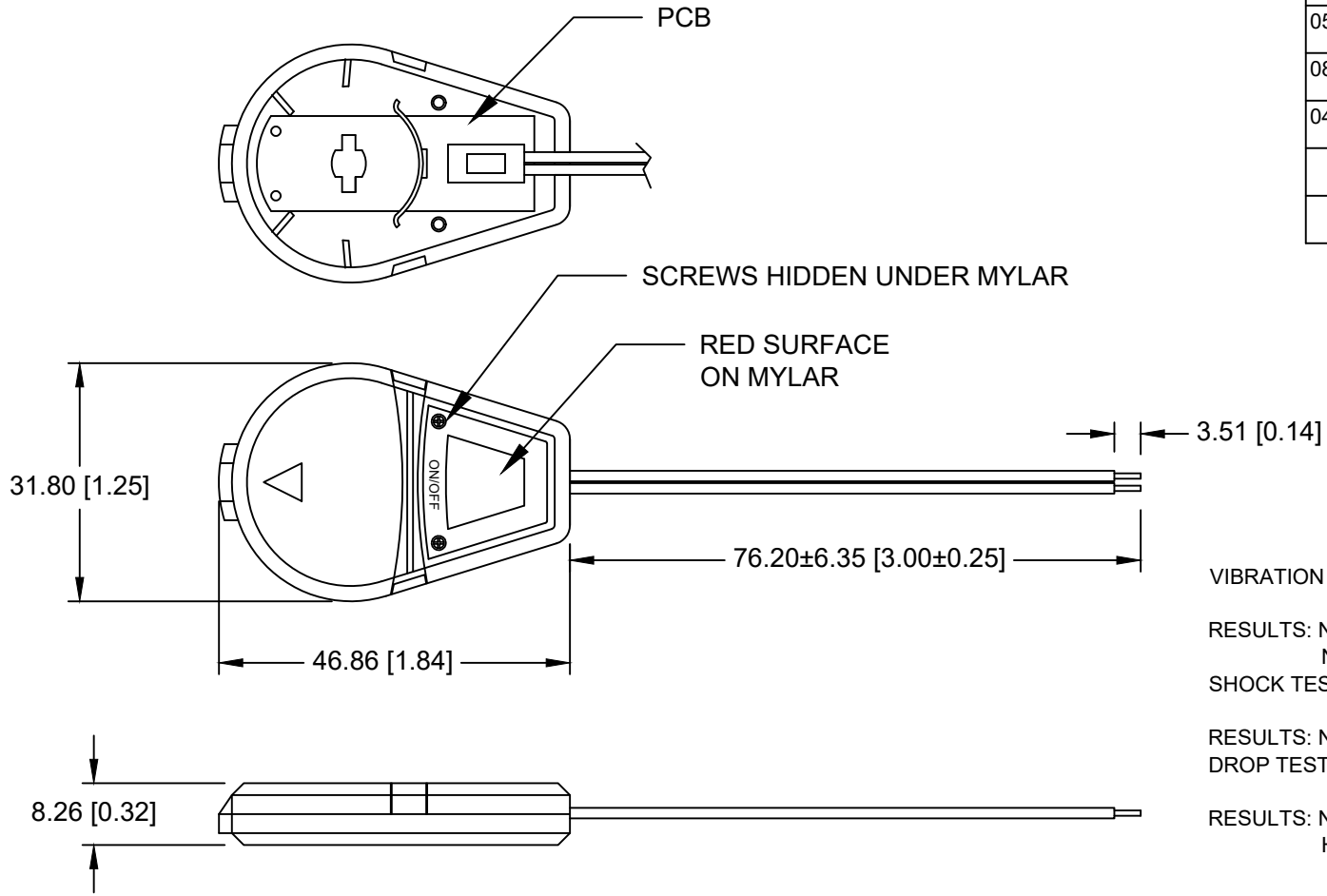



| Date     | SYM | REVISION RECORD           | AUTH | DR.  | CK. |
|----------|-----|---------------------------|------|------|-----|
| 05/06/16 | A   | Updated material note     | T.B. | B.S. |     |
| 08/14/18 | B   | Added test results        | T.B. | B.S. |     |
| 04/30/19 | C   | Updated temperature range | T.B. | B.S. |     |
|          |     |                           |      |      |     |
|          |     |                           |      |      |     |



VIBRATION TEST: 10-50-10HZ SWEEPED IN 60 SECONDS  
 X,Y,Z DIRECTION: 1 HOUR EACH DIRECTION  
 RESULTS: NO DISLODGE MENT OF THE CELL OR DAMAGE  
 NO DISCONTINUITY OVER 10 MICRO-SECONDS  
 SHOCK TEST: HALF SINE WAVE ACCELERATION 150G.  
 6 ms 1 SHOCK PULSES EACH DIRECTION PER AXIS  
 RESULTS: NO EVIDENCE OF PHYSICAL DAMAGE  
 DROP TEST: MOUNTED ON BOARD AND DROPPED 1 TIME PER  
 DIRECTION FROM 1m HIGH TO WOODEN FLOOR  
 RESULTS: NO DISLODGE MENT OF THE CELL, NO DAMAGE TO THE  
 HOLDERS

NOTES:  
 1. MATERIAL:  
 HOUSING: BLACK POLYPROPYLENE, UL FILE NO. E108370  
 FLAMMABILITY RATED: UL 94-HB  
 TEMPERATURE RANGE: -40°C TO +90°C  
 WIRES: 24 AWG, BLACK FOR NEGATIVE,  
 BLACK WITH WHITE TRACE FOR POSITIVE  
 BUTTON OVERLAY: 0.010" THICK MYLAR,  
 PCB: SWITCH AND POSITIVE AND NEGATIVE  
 CONTACTS FOR BATTERY  
 SCREWS: M1.6x6Mmm CRS/NI PLATED  
 2. ROHS COMPLIANT

WEIGHT: 6.23grams  
 CUSTOM OPTIONS AVAILABLE  
 CONTACT MPD FOR SWEEP, DIMMER, PULSE EFFECTS

|                                |   |                            |               |
|--------------------------------|---|----------------------------|---------------|
| Tolerance<br>(Except as noted) |  <b>Memory Protection Devices, Inc</b><br>200 Broad Hollow Road, Farmingdale, New York 11735 | Scale                      | Drawn By B.S. |
|                                |   | Approved By T.B.           |               |
| decimal<br>±.5 (.020)          | Title<br>ENCLOSED CR2032 BATTERY HOLDER WITH ON/OFF SWITCH  |                            |               |
| Fractional<br>± .8 (.030)      | Date<br>04/30/19  | Drawing Number<br>BQ2032-3 |               |
| Angular<br>± 3°                |   |                            |               |