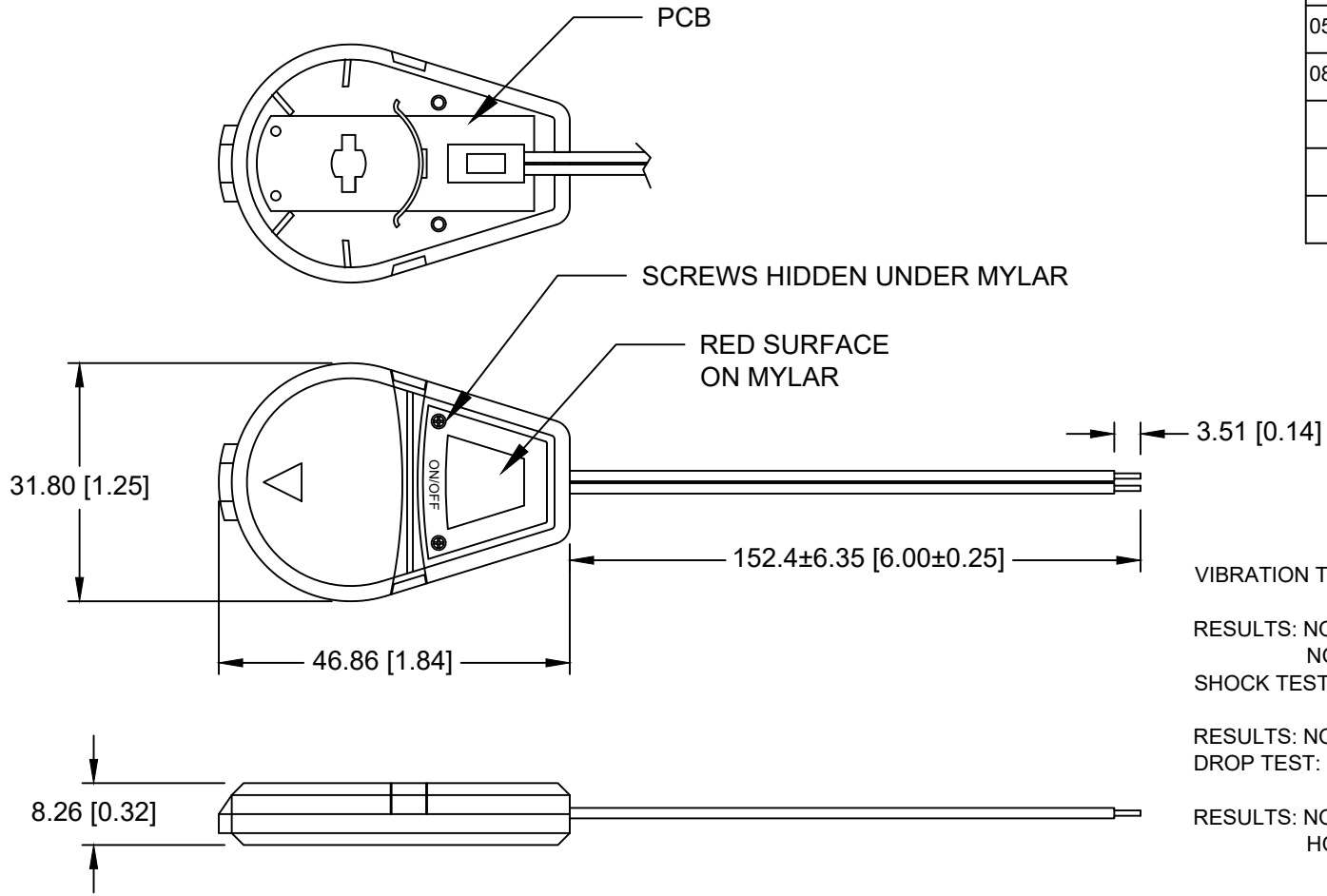


Date	SYM	REVISION RECORD	AUTH	DR.	CK.
05/06/16	A	Updated material note	T.B.	B.S.	
08/14/18	B	Added test results	T.B.	B.S.	




VIBRATION TEST: 10-50-10HZ SWEEPED IN 60 SECONDS
 X,Y,Z DIRECTION: 1 HOUR EACH DIRECTION
 RESULTS: NO DISLODGE MENT OF THE CELL OR DAMAGE
 NO DISCONTINUITY OVER 10 MICRO-SECONDS
 SHOCK TEST: HALF SINE WAVE ACCELERATION 150G.
 6 ms 1 SHOCK PULSES EACH DIRECTION PER AXIS
 RESULTS: NO EVIDENCE OF PHYSICAL DAMAGE
 DROP TEST: MOUNTED ON BOARD AND DROPPED 1 TIME PER
 DIRECTION FROM 1m HIGH TO WOODEN FLOOR
 RESULTS: NO DISLODGE MENT OF THE CELL, NO DAMAGE TO THE
 HOLDERS

NOTES:

- MATERIAL:
 HOUSING: BLACK POLYPROPYLENE, UL FILE NO. E108370
 FLAMMABILITY RATED: UL 94-HB
 TEMPERATURE RANGE: -40°C TO +85°C
 WIRES: 24 AWG, BLACK FOR NEGATIVE,
 BLACK WITH WHITE TRACE FOR POSITIVE
 BUTTON OVERLAY: 0.010" THICK MYLAR,
 PCB: SWITCH AND POSITIVE AND NEGATIVE
 CONTACTS FOR BATTERY
 SCREWS: M1.6x6Mmm CRS/NI PLATED
- ROHS 2 COMPLIANT

WEIGHT: 6.34grams
 CUSTOM OPTIONS AVAILABLE
 CONTACT MPD FOR SWEEP, DIMMER, PULSE EFFECTS

Tolerance (Except as noted)	 Memory Protection Devices, Inc 200 Broad Hollow Road, Farmingdale, New York 11735		
	decimal ±.5 (.020)	Scale	Drawn By B.S. Approved By T.B.
Fractional ± .8 (.030)	Title ENCLOSED CR2032 BATTERY HOLDER WITH ON/OFF SWITCH		
Angular ± 3°	Date 08/14/18	Drawing Number BQ2032-6	