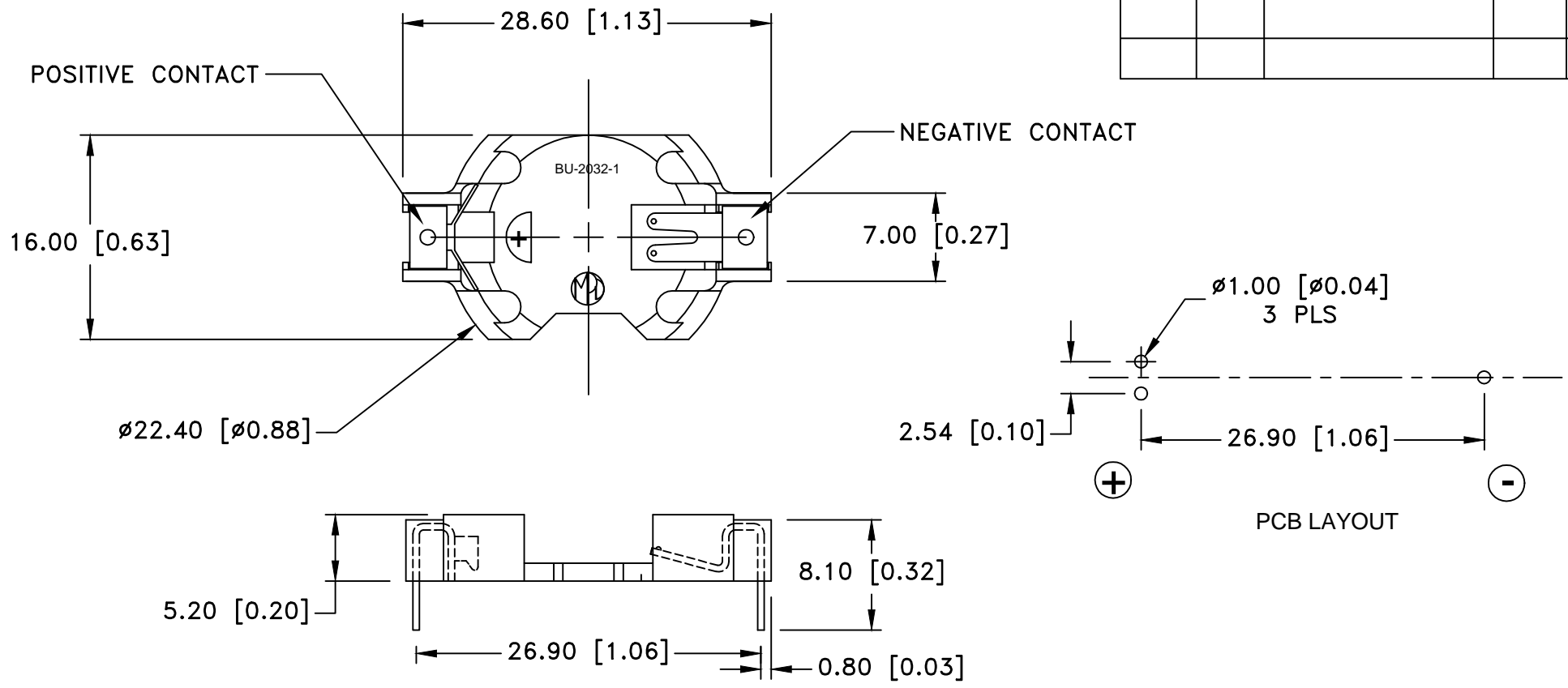



Date	SYM	REVISION RECORD	AUTH	DR.	CK.
6/06/08	C	Temperature range was -40°C to +315°C	T.B.	B.S.	
4/25/14	D	Updated to ROHS 2 compliant	T.B.	B.S.	
9/01/17	E	Added Battery part no. Updated Material	T.B.	B.S.	



SPECIFICATIONS:

- * Holder material- Off White, 30% glass reinforced Liquid, Crystal Polymer resin, UL File No. E344082, UL94V-0
- * Contacts : Stainless Steel 301, spring temper, Gold Flash overall
- * Temperature range: -40°C to +280°C
- * Vibration Test: 10-50-10 Hz swept in 60 seconds
X,Y,Z direction: 1 hour each direction
- * Result: No dislodgement of the cell or damage
No discontinuity over 10 micro-seconds
- * Shock Test: Half sine wave acceleration 150G. 6 ms
3 shock pulses each direction per axis, total of 18 pulses
- * Result: No evidence of physical damage

ROHS 2 COMPLIANT

CELL SIZE	RETAINS BATTERY NUMBERS		
20mm Dia. 43.2mm High	CR2032, DL2032, ECR2032, LIR2032		
Tolerance (Except as noted)	 Memory Protection Devices, Inc 200 Broad Hollow Road, Farmingdale, New York 11735		
decimal $\pm .5$ (.020)		Scale	Drawn By B.S.
			Approved By T.B.
Fractional $\pm .8$ (.030)	Title BU2032-1 CR2032 BATTERY HOLDER, THRU HOLE		
Angular $\pm 3^\circ$	Date 09/01/17	Drawing Number BU2032-1-G	