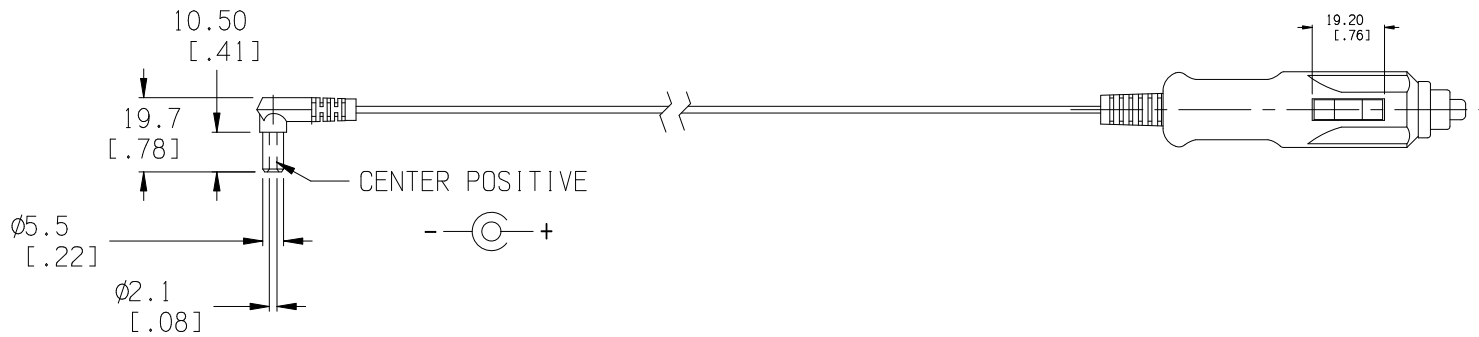
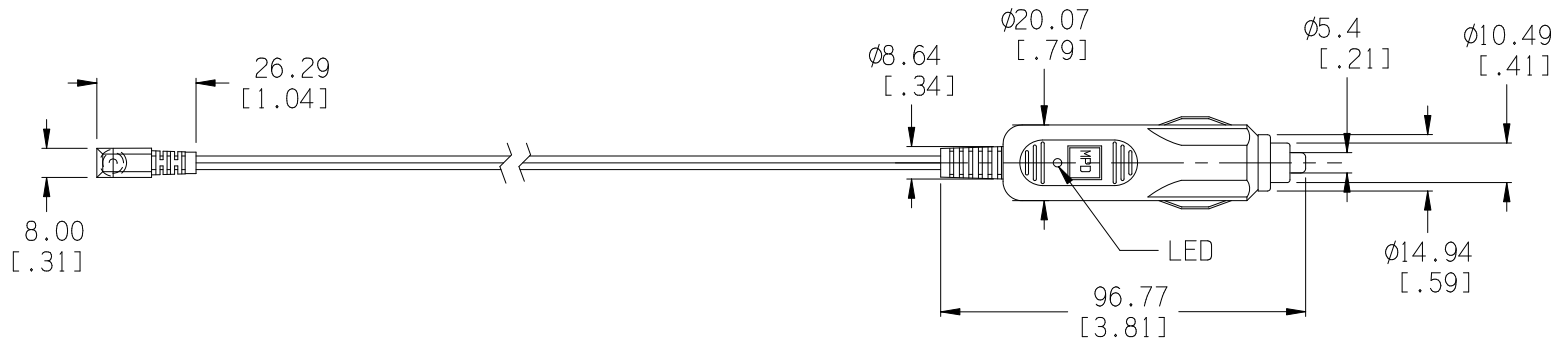


Date	SYM	REVISION RECORD	AUTH	DR.	CK.
10/22/05	A	ADDED "ROHS COMPLIANT"	T.B.	B.S.	
08/28/14	B	UPDATED TO ROHS 2 COMPLIANT	T.B.	B.S.	
07/22/17	C	ADDED NOTES	T.B.	B.S.	



BILL OF MATERIAL			Tolerance (Inches)	MPD Memory Protection Devices, Inc. 200 Broad Hollow Road, Farmingdale, New York 11735	
PART #	QTY.	DESCRIPTION		Scale	Drawn By B.S.
APP-001	1	CIGARETTE PLUG FOR 21 OR 22.2mm DIA. SOCKETS	Decimal		Approved By T.B.
PLUG	1	DC MOLDED PLUG, 2.1 x 5.5mm	±.5 (.020)		
FUSE	1	3AG (6.35 x 30mm), 3 AMP.	Fractional	Title AUTO POWER CORD SET, 6' W/3 AMP FUSE, RED LED, RIGHT ANGLE 2.1mm DC PLUG	
CORD	1	UL AWM 2468, 22 AWG, 80°C, UL-VW-1	± .8 (.030)	Date 07/22/17	Drawing Number ZA5077
ROHS 2 COMPLIANT CIGARETTE PLUG HOUSING: HIGH IMPACT ABS FLAMMABILITY RATED: UL94-HB, FILE NO. E56070 H.D.T. IS 85°C			Angular ± 3°		