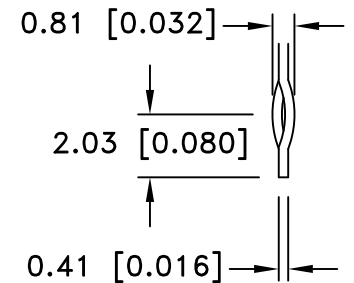
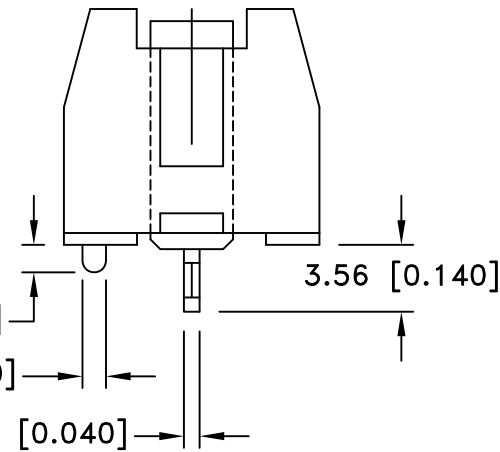
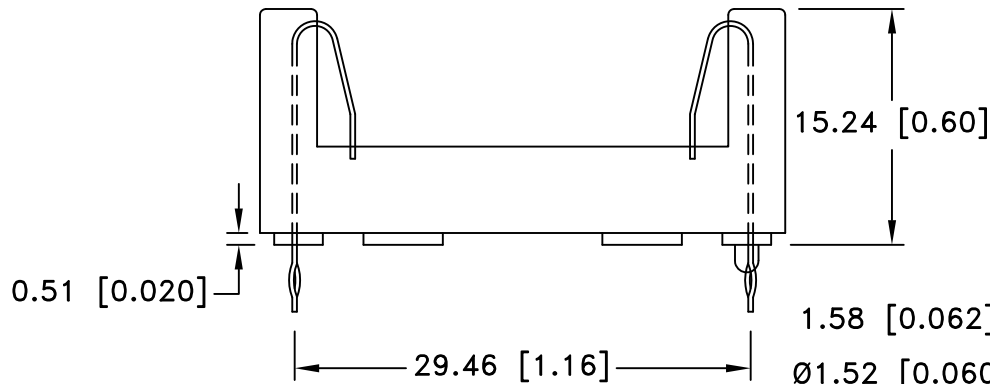
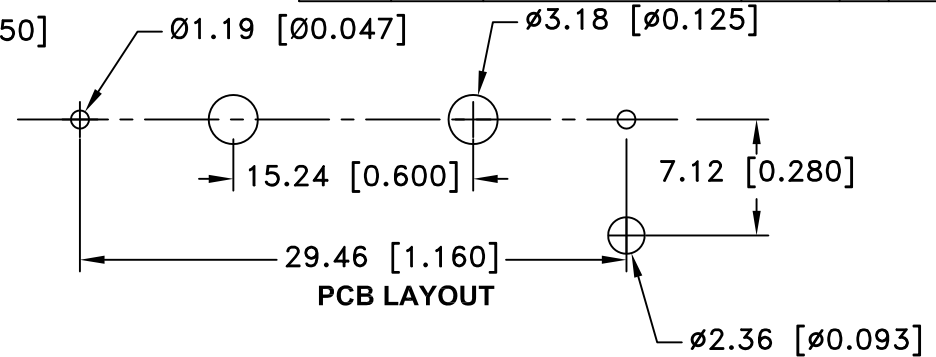


Date	SYM	REVISION RECORD	AUTH	DR.	CK.
07/15/11	D	Updated specification	T.B.	B.S.	
3/07/14	E	Removed tin dipped pcb tails	T.B.	B.S.	
7/11/14	F	Updated contact material	T.B.	B.S.	




**SPECIFICATIONS:**

HOLDER MATERIAL: BLACK PBT  
 FLAMMABILITY RATING:UL94V-0, FILE #E53829  
 CONTACTS: 301 SPRING TEMPER STAINLESS STEEL, NICKEL PLATED OVERALL  
 DIELECTRIC STRENGTH: 560 VOLTS/MIL AT 25°C FOR 5 SEC.  
 TEMPERATURE RANGE: -55°C TO +180°C  
 RESISTANCE TO SOLVENTS: XYLENE, ETHYL , BUTYL, METHYL, PROPYL ALCOHOL, ETHYL ACETATE, HEPTANE, TOLUENE, REFRIGERANT

ROHS 2 COMPLIANT

**NOTES:**

EYELET STIMPSON STYLE#A1883 0.110" OD x 0.190" FLANGE  
 FLANGE RECESS Ø0.250" x 0.125" DEEP  
 ACCEPTS STANDARD 2-56 MACHINE SCREWS

Tolerance (Except as noted)	 <b>Memory Protection Devices, Inc</b> 200 Broad Hollow Road, Farmingdale, New York 11735		
	decimal ±.5 (.020)	Scale	Drawn By B.S. Approved By T.B.
Fractional ± .8 (.030)	Title 1/2AA BATTERY HOLDER, PCB MOUNTING		
Angular ± 3°	Date 7/11/14	Drawing Number 815-0931	