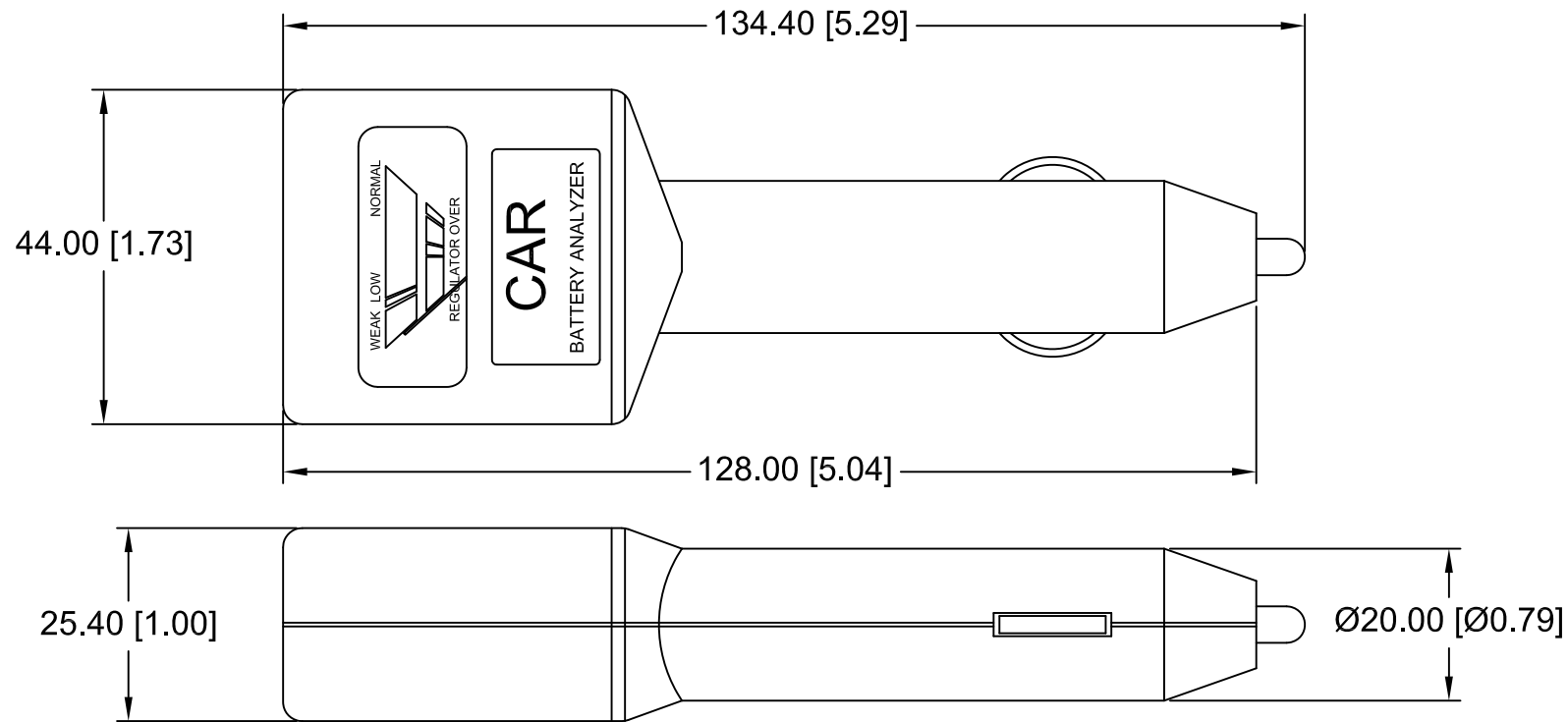



Date	SYM	REVISION RECORD	AUTH	DR.	CK.
11/07/14	A	UPDATED TO ROHS 2 COMPLIANT	T.B.	B.S.	



NOTE:

- CASING: ABS
- NEG. TERMINAL: STEEL
- POS. TERMINAL: STEEL, NICKEL PLATED
- SCREW: IRON, PLATED BLACK
- ROHS 2 COMPLIANT

Tolerance (Except as noted)	 Memory Protection Devices, Inc 200 Broad Hollow Road, Farmingdale, New York 11735		
decimal ±.020 (.5)	Scale	Drawn By B.S.	
Fractional ± .030 (.8)	Title CAR BATTERY ANALYZER WITH AUTO PLUG		
Angular ± 3°	Date 11/07/14	Drawing Number AP-125	
Approved By T.B.			