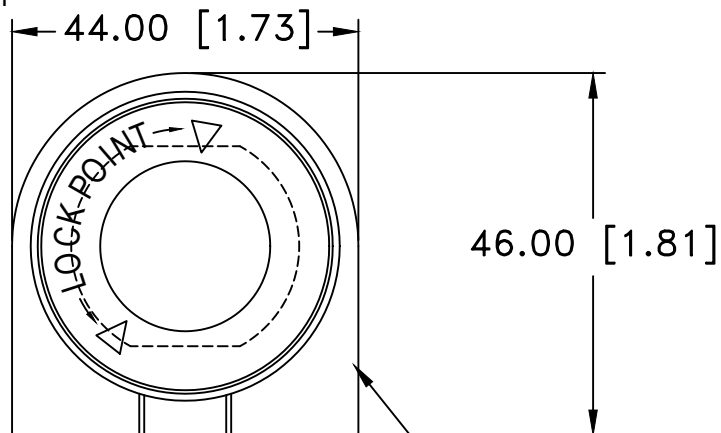


MATERIAL SPECIFICATION:

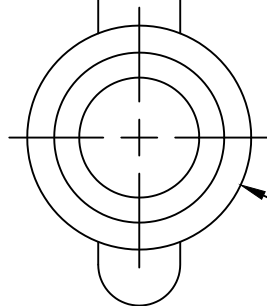
COVER: PVC
 BODY: NYLON #66, UL94V-0 RATED, UL FILE NO. E41781
 CONTACTS: BRASS, NICKEL PLATED
 RATING: 50mΩ Max
 INSULATION RATING: 500VDC, 100mΩ MIN.
 DIELECTRIC STRENGTH: 1500VAC 1 MIN.
 NUT: NYLON #66
 BASE: NYLON #66
 DECORATIVE PLATE: NYLON #66
 RATING: 12V, 20AMP

Date	SYM	REVISION RECORD	AUTH	DR.	CK.
07/29/11	A	ADDED ROHS COMPLIANT	T.B.	B.S.	
05/04/12	B	REMOVED PANEL CUT OUT DIAGRAM	T.B.	B.S.	
08/28/14	C	UPDATED TO ROHS 2 COMPLIANT	T.B.	B.S.	
09/23/20	D	ADDED UL FILE NO.	T.B.	B.S.	

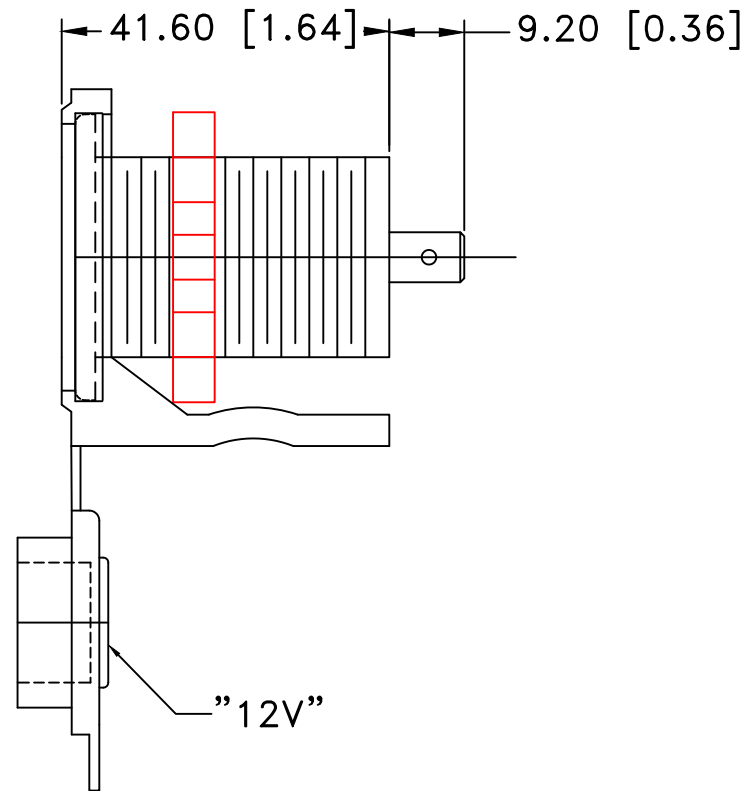
ROHS COMPLIANT



DECORATIVE PLATE

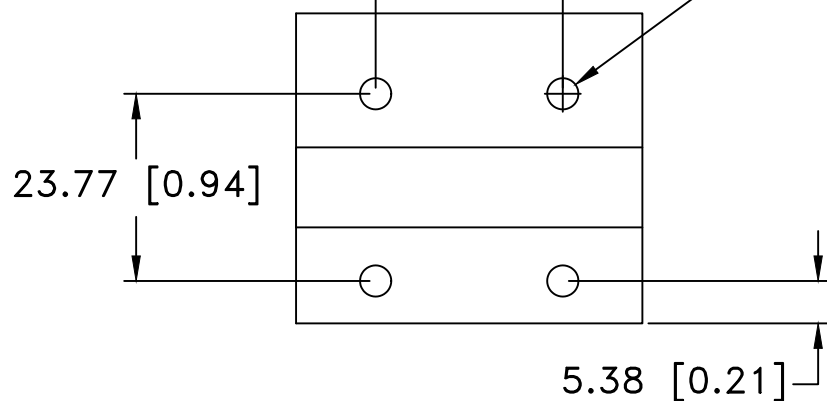



∅28.45 [∅1.12]



"12V"

23.77 [0.94] ∅4.00 [∅0.16]



Tolerance (Except as noted)	 Memory Protection Devices, Inc 200 Broad Hollow Road, Farmingdale, New York 11735		
decimal ±.5 (.020)	Scale	Drawn By B.S.	
Fractional ±.8 (.030)	Approved By T.B.		
Angular ± 3°	Title	12V CIGARETTE SOCKET, 20AMP MOUNTING WITH MOUNTING BRACKET	
	Date	Drawing Number	
	09/23/20	AS212-L	