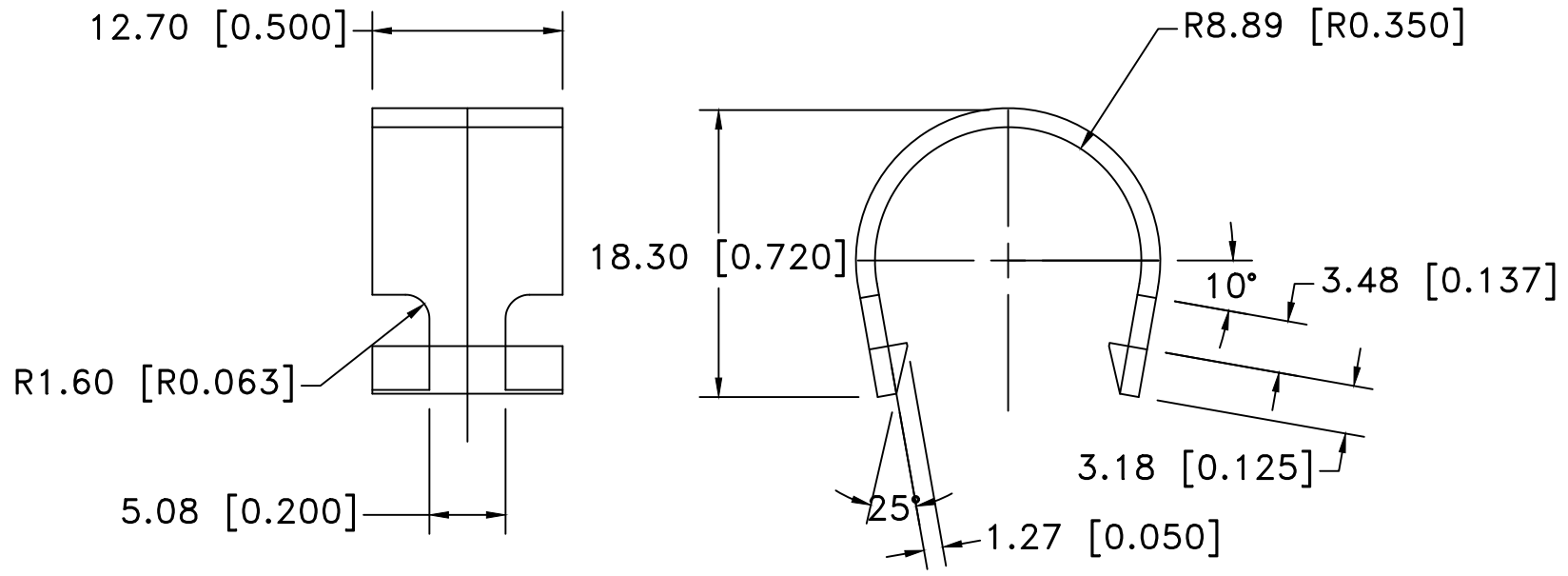



PART NO.	DESCRIPTION	MATERIAL
ABG-08	COVER	BLACK POLYSTYRENE UL RATING 94V-0

Date	SYM	REVISION RECORD	AUTH	DR.	CK.
12/19/17	D	DIM. 18.30 WAS 19.05	T.B.	B.S.	
03/06/19	E	UPDATED TO "ROHS COMPLIANT"	T.B.	B.S.	

ROHS COMPLIANT



Tolerance (Except as noted)	 Memory Protection Devices, Inc 200 Broad Hollow Road, Farmingdale, New York 11735		
decimal ±.5 (.020)		Scale	Drawn By B.S.
Fractional ± .8 (.030)	Title COVER FOR BC2/3AE		
Angular ± 3°	Date 03/06/19	Drawing Number BC2/3AC	
		Approved By T.B.	