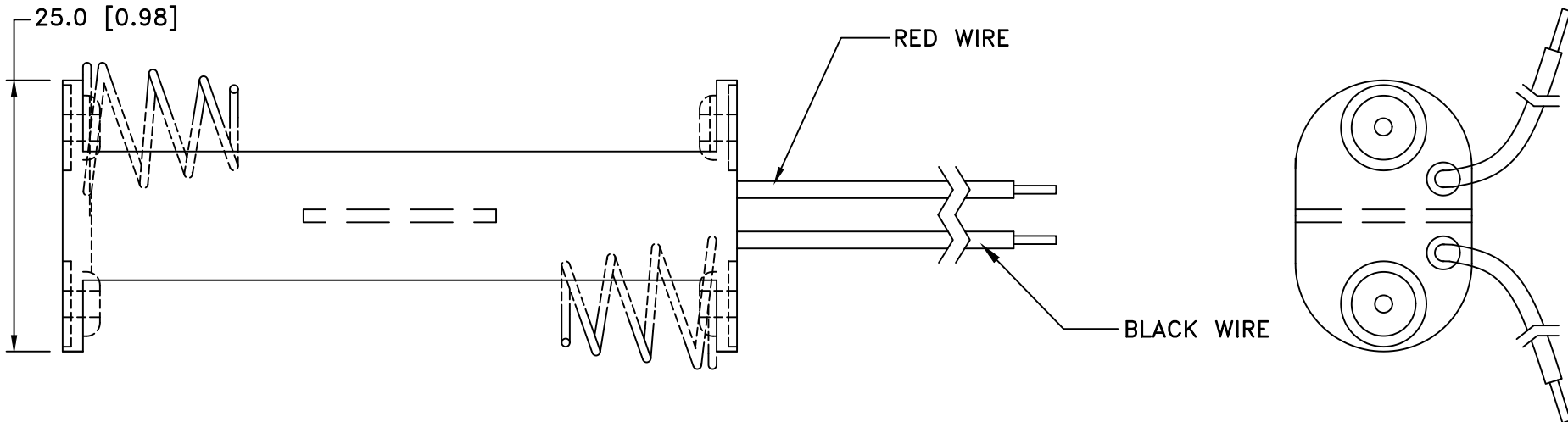
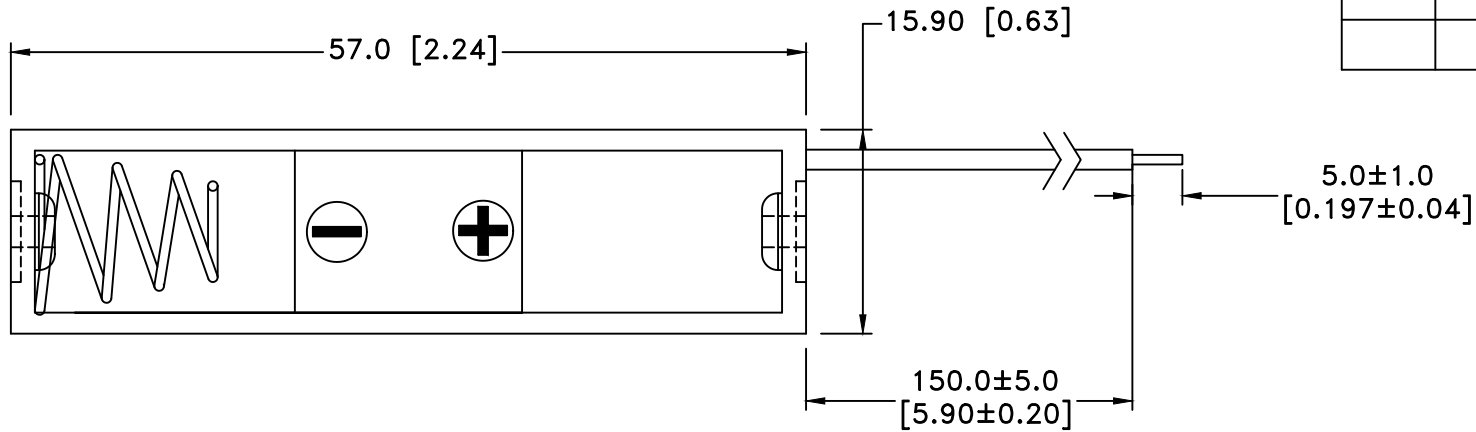



Date	SYM	REVISION RECORD	AUTH	DR.	CK.
5/05/17	B	DIM. 150 WAS 142.4 DIM. 25.0 WAS 25.30	T.B.	B.S.	
3/07/19	C	UPDATED TO "ROHS COMPLIANT"	T.B.	B.S.	



**NOTES:**

- Plastic material - Polypropylene, PP-1040
- Flammability Rating -UL94-HB, UL File NO. E216959
- Temperature Range: -10°C to +100°C
- Springs - Nickel Plated Spring Steel
- Wire - 26 AWG, UL1007, CSA, TR64, 300V, 80°C
- Rivets - Brass, Nickel Plated
- Contact Resistance: Under 50mΩ for +/- contacts per EIA-540J000
- ROHS COMPLIANT

Tolerance (Except as noted)	 <b>Memory Protection Devices, Inc</b> 200 Broad Hollow Road, Farmingdale, New York 11735		
decimal ±.5 (.020)		Scale	Drawn By B.S.
Fractional ± .8 (.030)	Title TWO "AA" CELL HOLDER WITH WIRE LEADS		
Angular ± 3°	Date 03/07/19	Drawing Number BC32AAW	
		Approved By T.B.	