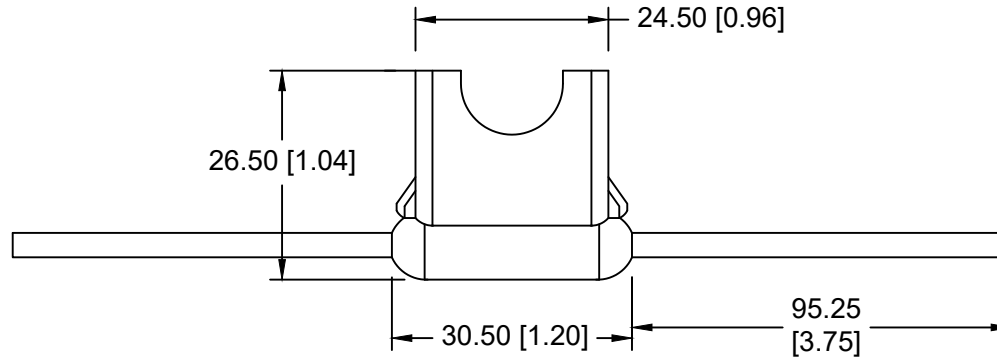



Date	SYM	REVISION RECORD	AUTH	DR.	CK.
01/19/18	A	UPDATED SPECIFICATION	T.B.	B.S.	
04/12/19	B	UPDATED TO "ROHS COMPLIANT"	T.B.	B.S.	
11/26/19	C	WAS RATED 30AMP.	T.B.	B.S.	



HEAVY DUTY TYPE

NOTES:

- MATERIAL:  
HOUSING : PVC ,UL94V-0, FILE NO. E174939
- WIRE: RED WIRE, 16 AWG, UL 1015, 600V, 105°C,  
FLAME RATED VW-1, UL FILE NO. E253346 OR ENGINEERING  
APPROVED EQUIVALENT
- RATED CURRENT: 15A
- ACCEPTS ATP/ATC/ATO FUSES
- INSULATION RESISTANCE AT 500V DC: 100MΩ MIN
- CONTACT RESISTANCE: 5mΩ AT 1A DC
- DIELECTRIC STRENGTH FOR 60 SECONDS: AC 1500V MIN  
ROHS COMPLIANT

Tolerance (Except as noted)	 <b>Memory Protection Devices, Inc</b> 200 Broad Hollow Road, Farmingdale, New York 11735		
decimal ±.5 (.020)		Scale	Drawn By B.S.
			Approved By T.B.
Fractional ± .8 (.030)	Title INLINE FUSE HOLDER		
Angular ± 3°	Date 11/26/19	Drawing Number BF356	