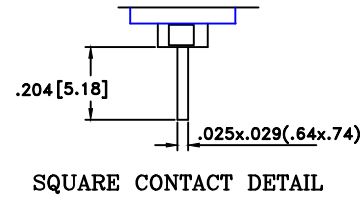
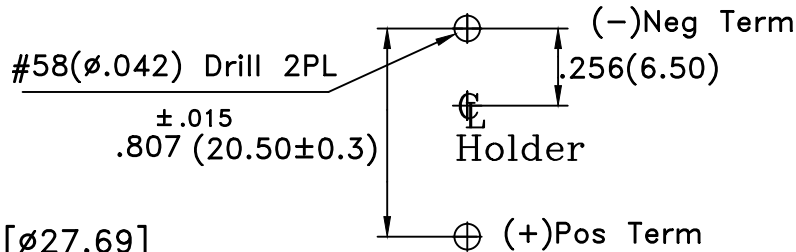
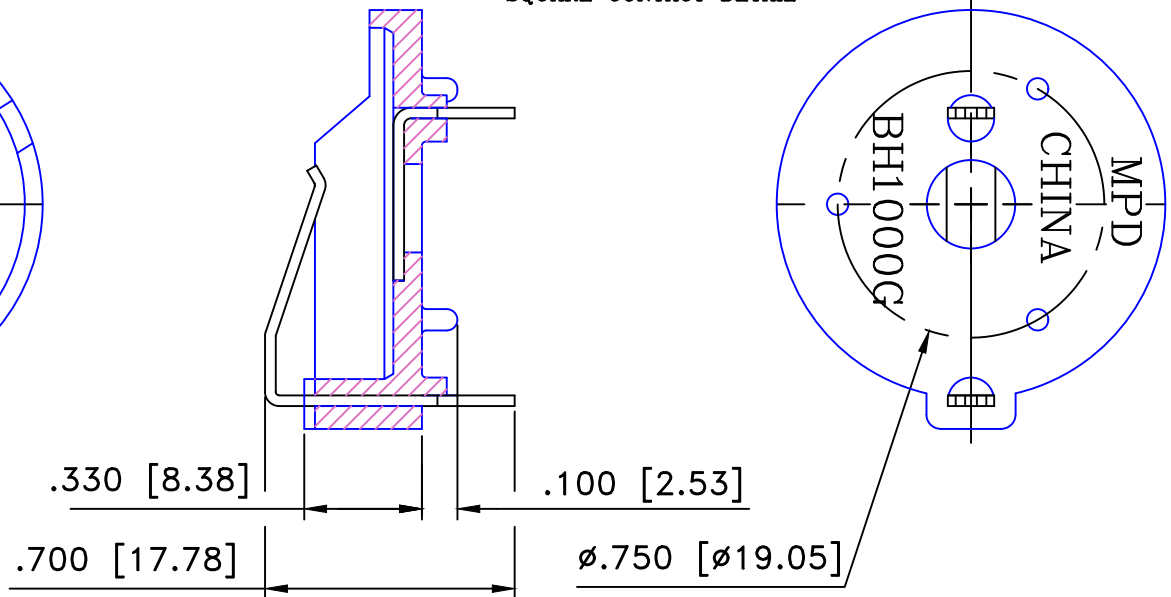
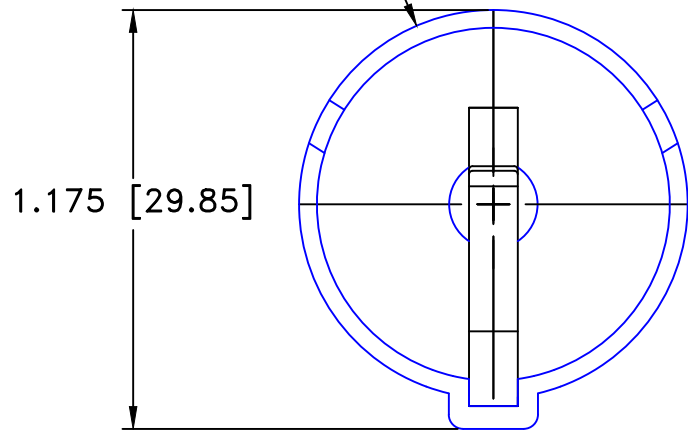


PCB LAYOUT

Date	SYM	REVISION RECORD	AUTH	DR.	CK.
12/12/19	F	Added weight of the part	T.B.	B.S.	
08/22/24	G	Updated UL File No.	D.L.	B.S.	



SQUARE CONTACT DETAIL



SPECIFICATIONS

- *Holder material—thermoplastic, black PBT
 - *Flammability rating—UL94V-0, File No.E45587
 - *Contacts—Phos—Bronze, Nickel plated overall
 - *Dielectric strength—560volts/mil at 25°C for 5seconds
 - *Temperature range— -55° to +180°C
 - *Resistance to solvents—Xylene,ethyl,butyl,methyl&proptl alcohol;ethyl acetate,heptane;toluene;refrigerant
- Approximate weight: 4.03g
*ROHS COMPLIANT

Tolerance (Except as noted)	MPD Memory Protection Devices, Inc 200 Broad Hollow Road, Farmingdale, New York 11735	Scale	Drawn By T.S.
		decimal ±.5 (.020)	4=1 Approved By D.L.
Fractional ± .8 (.030)	Title CR 2477 COIN BATTERY HOLDER		
Angular ± 3°	Date 08/22/24	Drawing Number BH1000G	