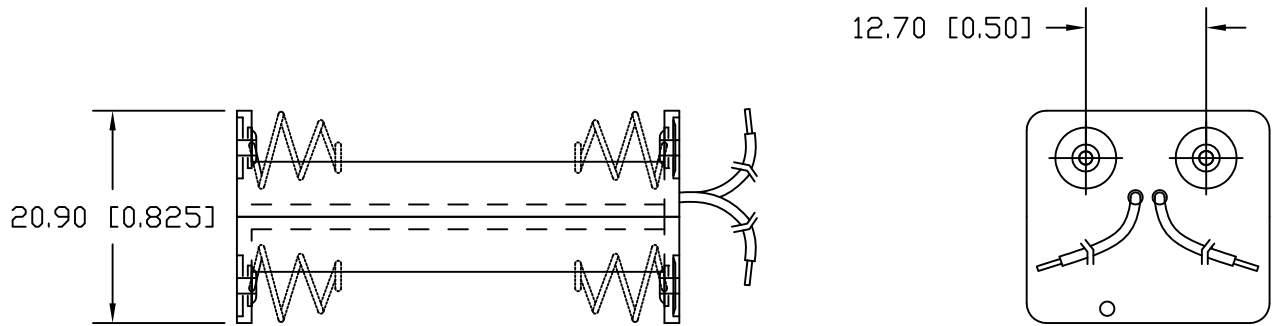
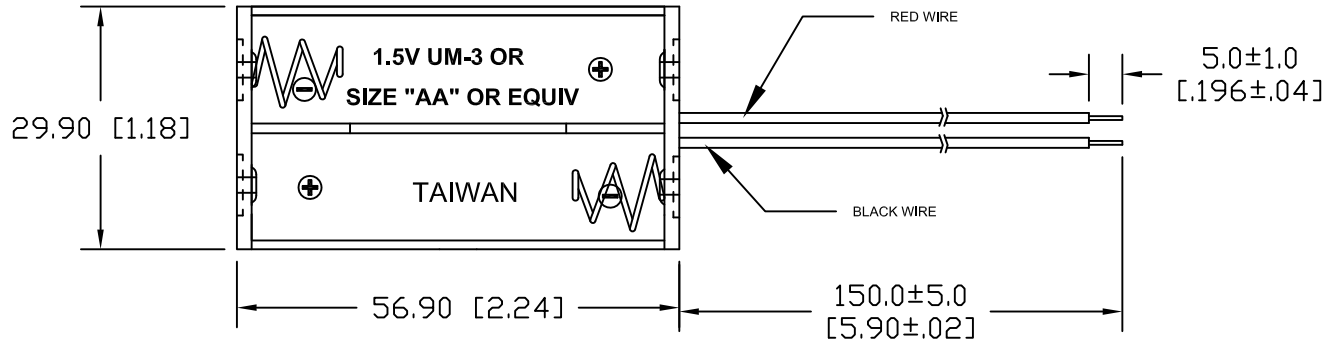



Date	SYM	REVISION RECORD	AUTH	DR.	CK.
11/21/14	B	REDRAWN AND UPDATED TO ROHS 2 COMPLIANT	T.B.	B.S.	
05/12/17	C	DIM. 150.0 WAS 152.4 DIM. 5.0 WAS 3.18	T.B.	B.S.	



MATERIAL:
HOUSING: POLYPROPYLENE
FLAMMABILITY RATING -UL94 HB, UL FILE NO. E216959
TEMPERATURE RANGE: -10°C to +100°C
SPRINGS: SPRING STEEL, NICKEL PLATED
RIVETS: BRASS, NICKEL PLATED
WIRES: 26AWG, UL1007, CSA TR-64, 300V, 80°C
CONTACT RESISTANCE: UNDER 50mΩ FOR +/- CONTACTS
PER EIA-540J000
ROHS 2 COMPLIANT

Tolerance (Inches)	 Memory Protection Devices, Inc 200 Broad Hollow Road, Farmingdale, New York 11735		
Decimal ±.5 (.020)	Scale	Drawn By B.S.	
Fractional ± .8 (.030)	Title 4 "AA" BATTERY HOLDER WITH WIRE LEADS		
Angular ± 3°	Date 05/12/17	Drawing Number BH44AAW	
		Approved By T.B.	