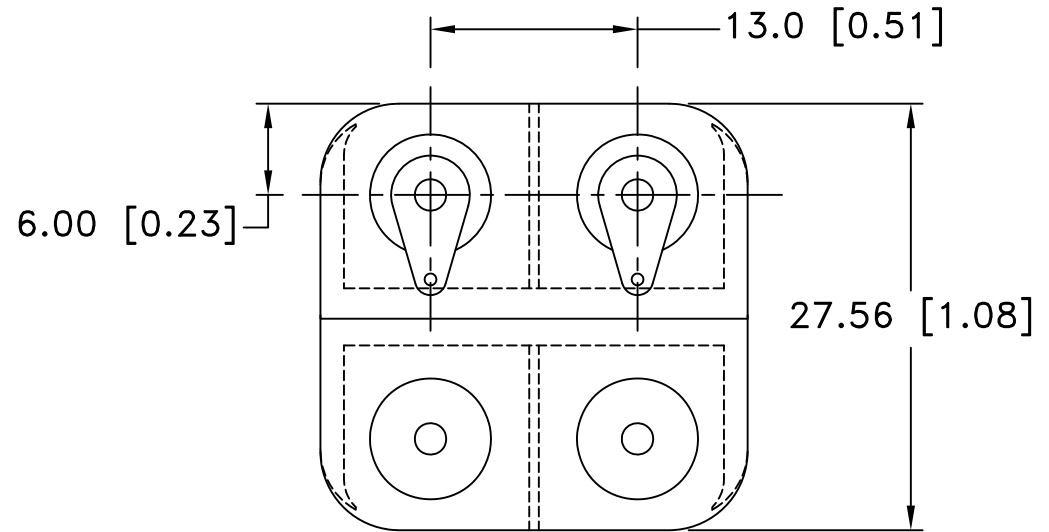


Date	SYM	REVISION RECORD	AUTH	DR.	CK.
02/22/13	A	UPDATED TO "ROHS 2 COMPLIANT"	T.B.	B.S.	
07/22/17	B	DIM. 27.80 WAS 27.56	T.B.	B.S.	




**NOTES:**

**1. MATERIAL:**

- HOUSING : POLYPROPYLENE
- FLAMMABILITY RATING: UL94 HB, UL FILE NO. E216959
- TEMPERATURE RANGE: -10°C TO +100°C
- RIVETS: BRASS, NICKEL PLATED.
- SPRING: SPRING STEEL, NICKEL PLATED
- LUGS: BRASS, NICKEL PLATED
- CONTACT RESISTANCE: UNDER 50m Ω FOR ± CONTACTS PER EIA-540J000
- ROHS 2 COMPLIANT

**MOUNTING INSTRUCTION:**

USE 2-56 MACHINE SCREWS OR EYELETS 0.089" OD BY 0.15" FLANGE STIMPSON GS-3 SERIES OR EQUIVALENT. ALSO ADHESIVES AND DOUBLE SIDED TAPES WORK WELL.

Tolerance (Except as noted)	 <b>Memory Protection Devices, Inc</b> 200 Broad Hollow Road, Farmingdale, New York 11735	Scale	Drawn By B.S.
			Approved By T.B.
decimal ±.5 (.020)	Title FOUR "N" CELL HOLDER		
Fractional ± .8 (.030)		Date 07/22/17	Drawing Number BH4NL
Angular ± 3°			