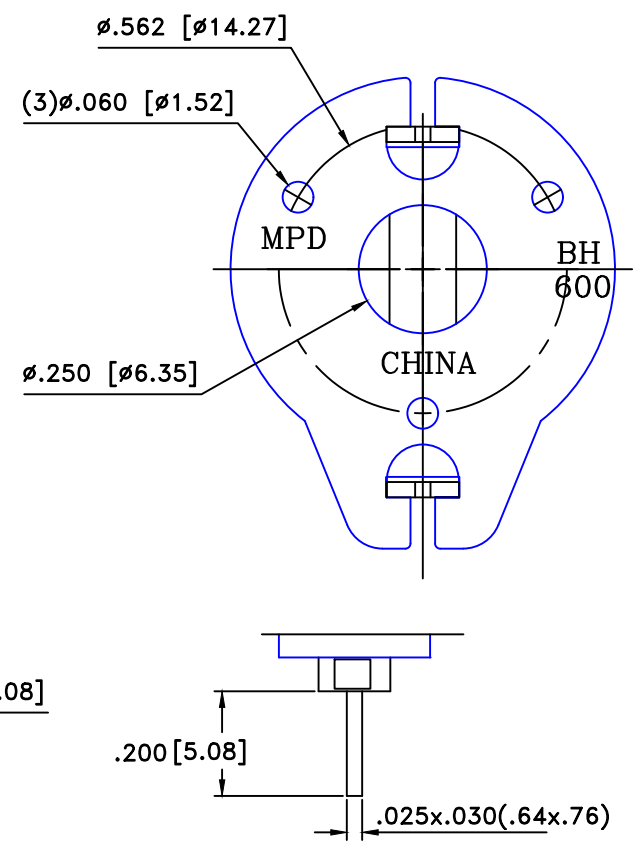
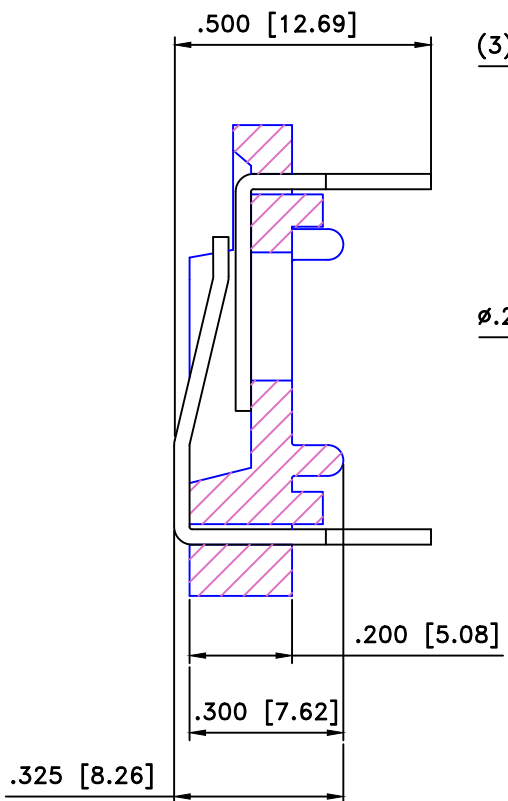
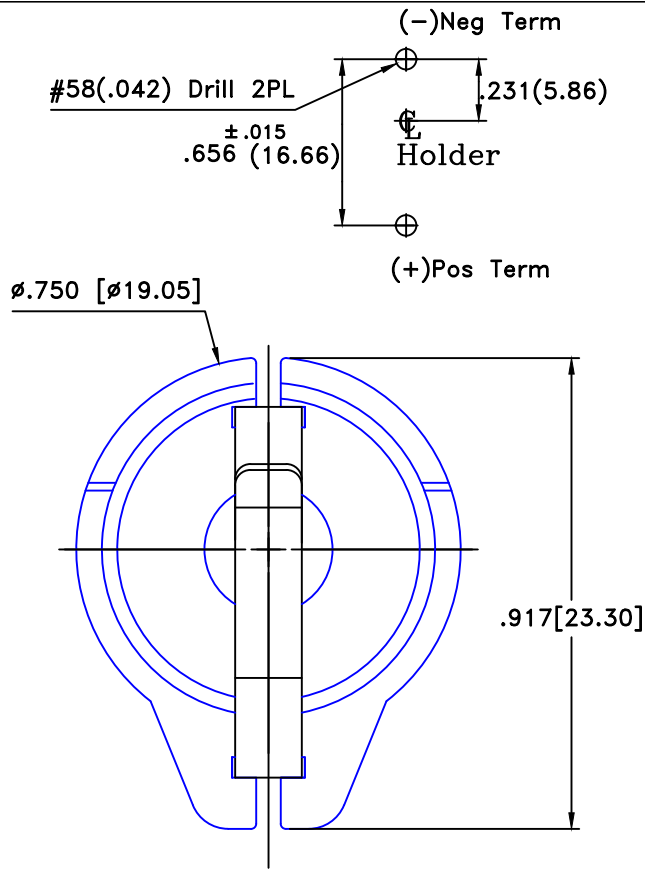


| Date | SYM | REVISION RECORD | AUTH | DR. | CK. |
|----------|-----|------------------------|------|------|-----|
| 09/14/23 | E | Updated UL file number | T.B. | B.S. | |
| 08/22/24 | F | Updated UL file number | D.L. | B.S. | |




Square Contact Detail

SPECIFICATIONS

- *Holder material-thermoplastic, black PBT
- *Flammability rating-UL94V-0, File No.E45587
- *Contacts-Stainless Steel spring temper
Gold Flash Finish
- *Dielectric strength-560volts/mil at 25°C for 5seconds
- *Temperature range- -55° to +180°C
- *Resistance to solvents-Xylene,ethyl,butyl,methyl&proptl
alcohol;ethyl acetate,heptane;toluene;refrigerant
- *Approximate weight: 1.68g

ROHS COMPLIANT

| | | | |
|--------------------------------|---|------------------|---------------------------|
| Tolerance (Except as noted) |  Memory protection Devices, Inc 200 Broad Hollow Road, Farmingdale, New York 11735 | | |
| decimal ±.5 (.020) | Scale 4=1 | Drawn By B.S. | |
| Fractional ± .8 (.030) | Approved By D.L. | | |
| Angular ± 3° | Title BR/CR/DL 1620/1632 COIN BATTERY HOLDER | Date 08/22/24 | Drawing Number BH600-G |