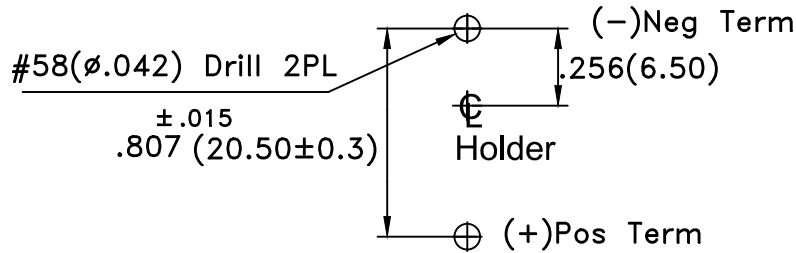
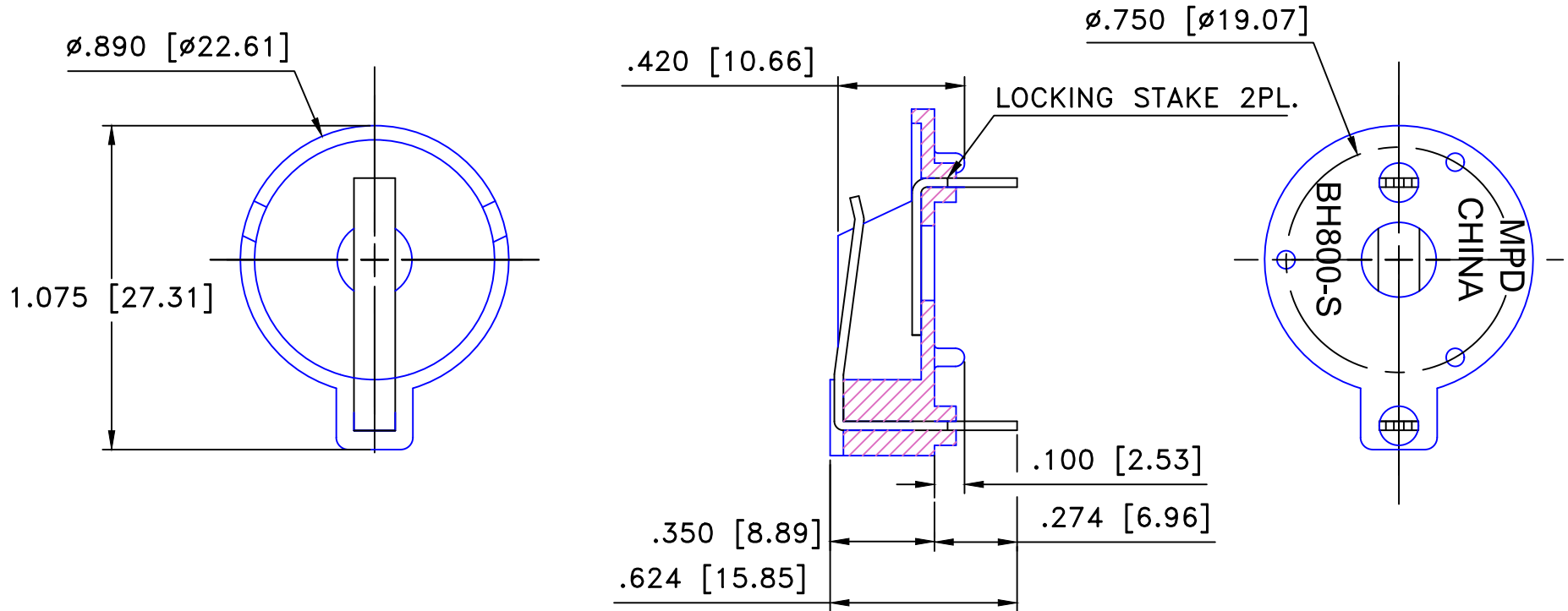


PCB LAYOUT




Date	SYM	REVISION RECORD	AUTH	DR.	CK.
3/18/24	G	CHANGED CONTACT MATERIAL TO 304	D.L.	B.S.	
08/22/24	H	UPDATED UL FILE NO.	D.L.	B.S.	



SPECIFICATIONS

- *Holder material-thermoplastic, black PBT
- *Flammability rating-UL94V-0, File No.E45587
- *Contacts-304 spring temper stainless steel nickel plated overall
- *Dielectric strength-560volts/mil at 25°C for 5seconds
- *Temperature range- -55° to +180°C
- *Resistance to solvents-Xylene,ethyl,butyl,methyl&proptl alcohol;ethyl acetate,heptane;toluene;refrigerant
- *Approximate weight: 2.35g
- * ROHS COMPLIANT

Tolerance (Except as noted)	 Memory protection Devices, Inc 200 Broad Hollow Road, Farmingdale, New York 11735		
	decimal ±.020 (.5)	Scale 4=1	Drawn By B.S. Approved By D.L.
Fractional ± .030 (.8)	Title CR/BR 2025/2032 TWO COIN BATTERY HOLDER		
Angular ± 3°	Date 3/18/24	Drawing Number BH800S	