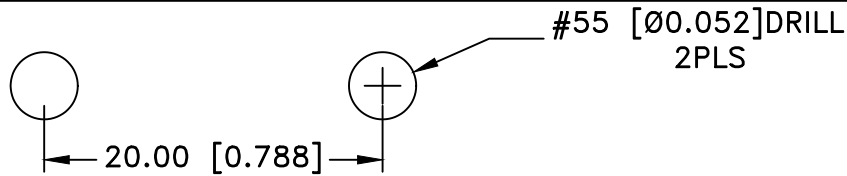
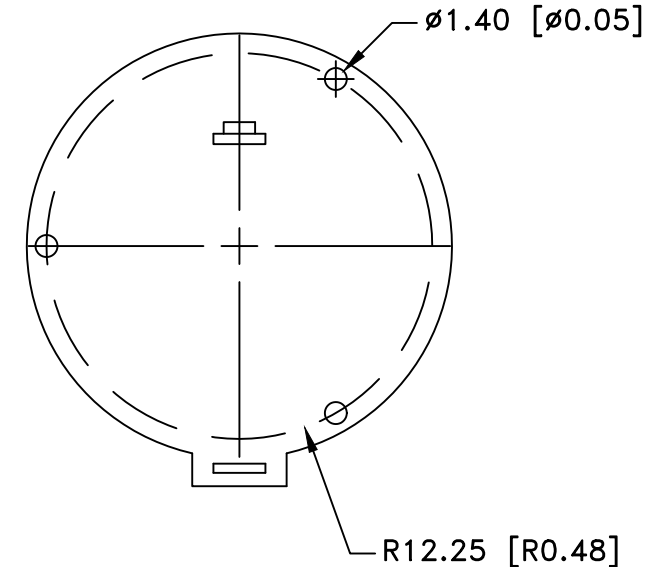
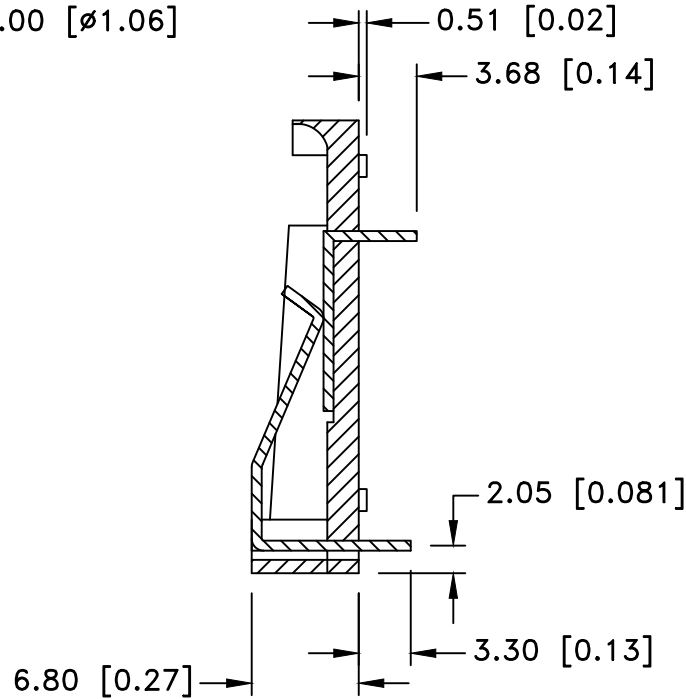
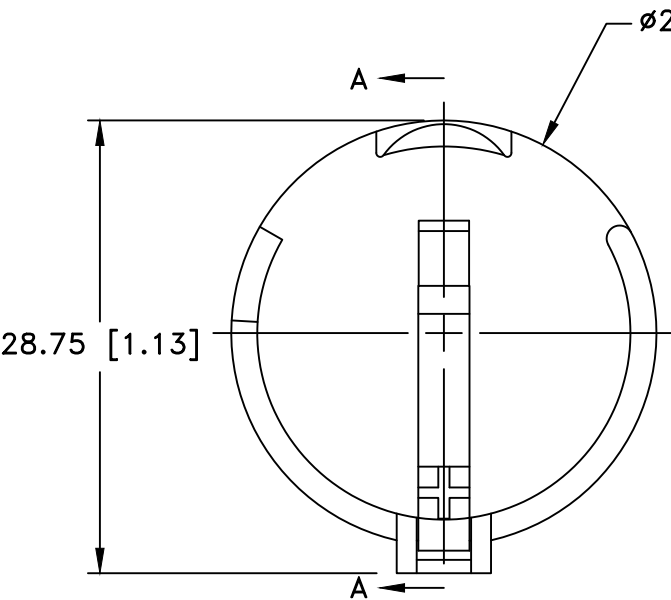


SQUARE CONTACT DETAIL



PCB LAYOUT


Date	SYM	REVISION RECORD	AUTH	DR.	CK.
12/04/15	F	Updated Material	T B	B S	
11/07/19	G	Added weight of the part	T B	B S	



NOTES:

MATERIAL:

HOLDER: LCP, 30% Glass Filled, UL94V-0  
 FLAMMABILITY RATING: UL94V-0, UL FILE NO. E344082  
 CONTACTS:  
 POSITIVE: PHOS-BRONZE, 0.0236" THICK, NICKEL PLATED  
 NEGATIVE: SPRING TEMPERED STN. STL., 0.0236" THICK, NICKEL PLATED  
 TEMPERATURE RANGE: -40°C TO +240°C  
 APPROXIMATE WEIGHT: 2.69g  
 ROHS COMPLIANT  
 BATTERIES: CR2320, CR2325, CR2330, CR2335

Tolerance (Except as noted)	 <b>Memory Protection Devices, Inc</b> 200 Broad Hollow Road, Farmingdale, New York 11735		
	decimal ±.5 (.020)	Scale	Drawn By B.S. Approved By T.B.
Fractional ± .8 (.030)	Title 23mm BATTERY HOLDER WITH EASY IN-OUT		
Angular ± 3°	Date 11/07/19	Drawing Number BH908T-C-HITE	