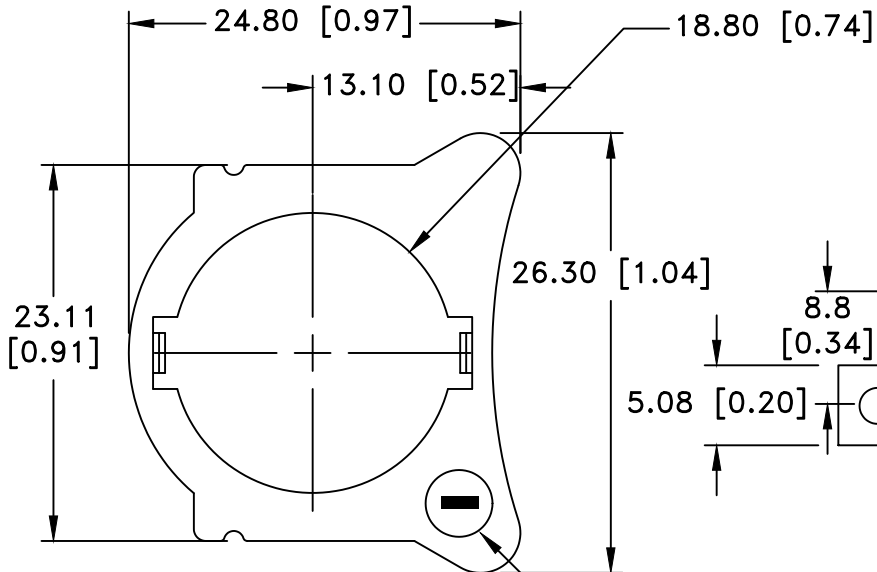
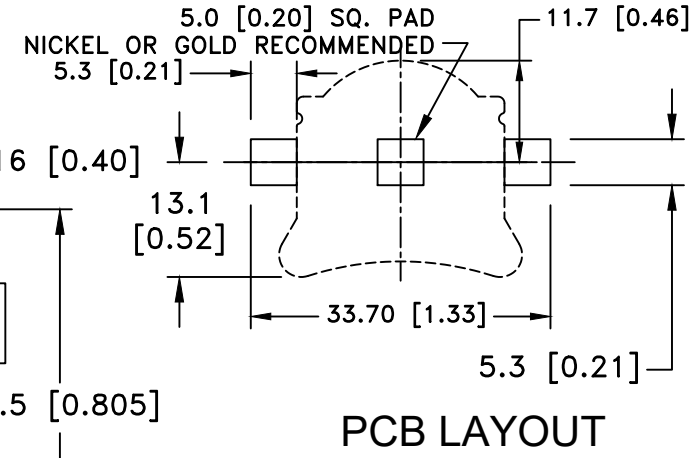
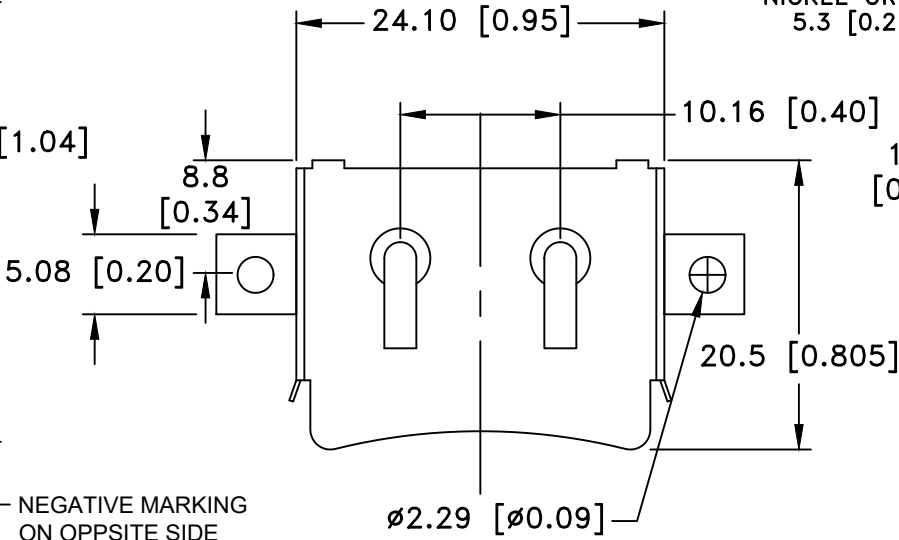


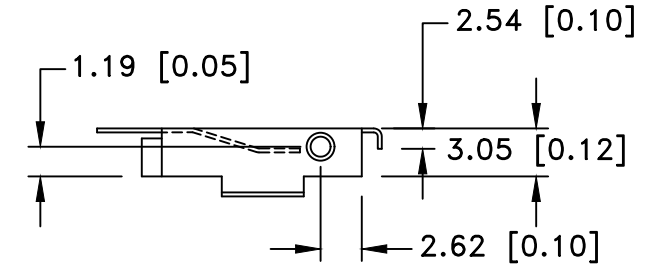
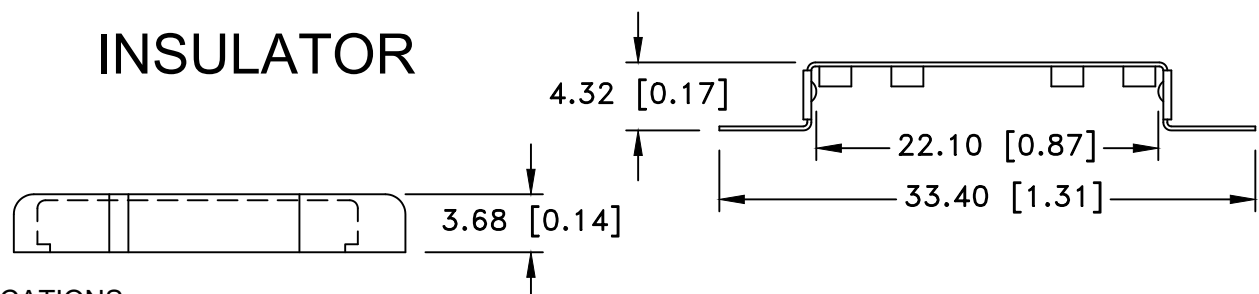
Date	SYM	REVISION RECORD	AUTH	DR.	CK.
12/04/15	J	Added Pad Location Dim.	T.B.	B.S.	
12/11/15	K	Changed micro sec. to milliseconds	T.B.	B.S.	
10/18/19	L	Added Weight of the part	T.B.	B.S.	



INSULATOR




PCB LAYOUT



SPECIFICATIONS:

- * Holder material- Polypropylene, AV161 PP, Off White
- * UL Flammability Rating: UL 94-HB File No. E108370
- * Contacts : Phosphor Bronze C5191, Nickel Plated 80-150u thickness
- * Vibration test: 10-50-10 hz swept in 60 seconds
x,y,z direction: 1 hour each direction
- * Result: no dislodgement of the cell or damage
no discontinuity over 10 micro-seconds
- * Shock test: half sine wave acceleration 150g.
6 milliseconds 3 shock pulses each direction per axis,
total of 18 pulses
- * Result: no evidence of physical damage
- * ROHS COMPLIANT

Weight: 0.45g

Tolerance (Except as noted)	 Memory Protection Devices, Inc 200 Broad Hollow Road, Farmingdale, New York 11735		
	decimal $\pm .5 (.020)$	Scale	Drawn By B.S. Approved By T.B.
Fractional $\pm .8 (.030)$	Title CR2032 SURFACE MOUNT BATTERY RETAINER WITH INSULATOR		
Angular $\pm 3^\circ$	Date 10/18/19	Drawing Number BHX1-2032-SM	