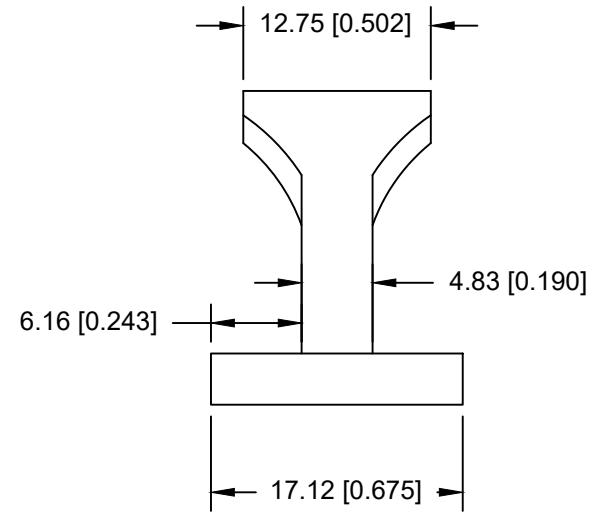
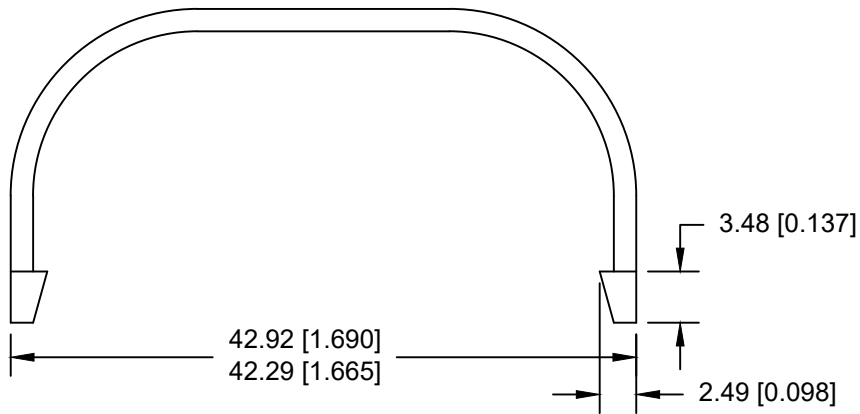



Date	SYM	REVISION RECORD	AUTH	DR.	CK.



NOTES:
Material: ABS, PA-765, UL94V-0, POLYLAC BLACK

Tolerance (Inches)	 Memory Protection Devices, Inc 200 Broad Hollow Road, Farmingdale, New York 11735		
Decimal ±.5 (.020)		Scale	Drawn By B.S.
Fractional ± .8 (.030)	Title TWO 18650 LI-ION CELL HOLDER		
Angular ± 3°	Date 11/22/23	Drawing Number BK-18650-PC4-COVER	