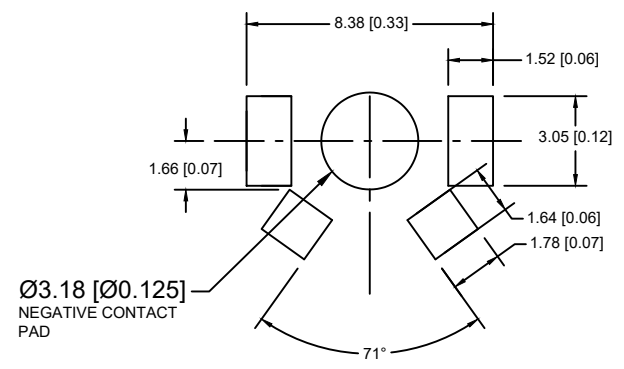
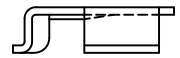
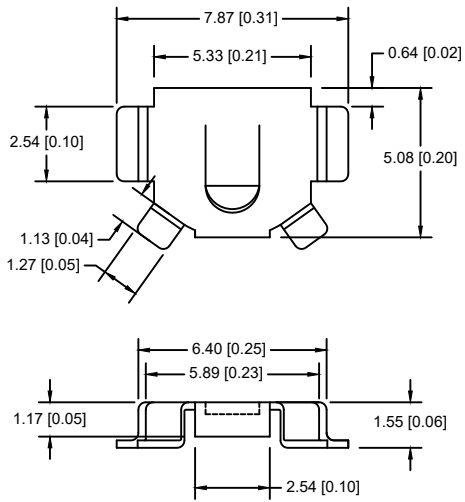



Date	SYM	REVISION RECORD	AUTH	DR.	CK.
10/31/19	C	Added weight of the part	T.B.	B.S.	
08/17/22	D	Added Negative pad	T.B.	B.S.	



PCB LAYOUT

NOTES:

1. MATERIAL:
0.25mm PHOSPHOR BRONZE, NICKEL PLATED.
2. ROHS COMPLIANT
3. APPROXIMATE WEIGHT: 0.08g

Tolerance (Except as noted)	 Memory Protection Devices, Inc 200 Broad Hollow Road, Farmingdale, New York 11735		
decimal ±.5 (.020)		Scale	Drawn By B.S.
			Approved By T.B.
Fractional ± .8 (.030)	Title COIN CELL RETAINER FOR 5.8mm DIA. BATTERIES		
Angular ± 3°	Date 08/17/22	Drawing Number BK-335-SM	