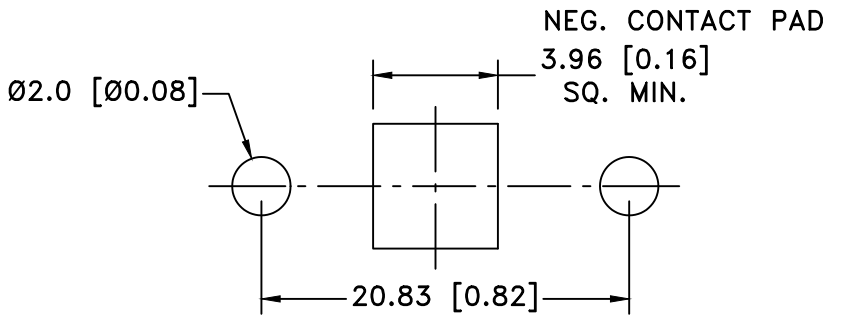
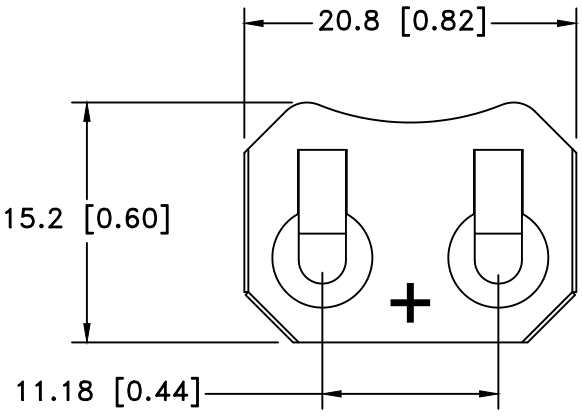
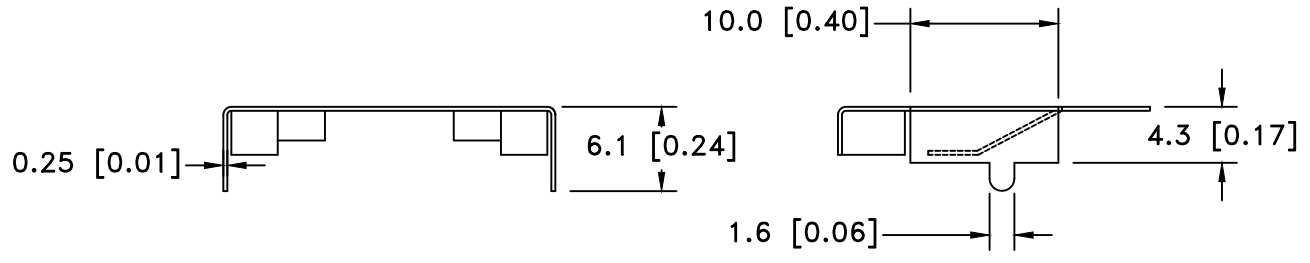


Date	SYM	REVISION RECORD	AUTH	DR.	CK.
01/08/20	A	Updated dimensions to one decimal point.	T.B.	B.S.	



PCB LAYOUT



Weight: 0.85g

NOTES:

- 1. MATERIAL:
0.25mm PHOSPHOR BRONZE, NICKEL PLATED.
- 2. ROHS COMPLIANT

Tolerance (Except as noted)	Memory Protection Devices, Inc 200 Broad Hollow Road, Farmingdale, New York 11735	
	decimal ±.5 (.020)	Scale Drawn By B.S. Approved By T.B.
Fractional ± .8 (.030)	Title COIN CELL RETAINER FOR 20mm DIA. BATTERIES	
Angular ± 3°	Date 01/08/20	Drawing Number BK-913-5

CELL SIZE	RETAINS BATTERY NUMBERS
20mm	BR2032, CR2032