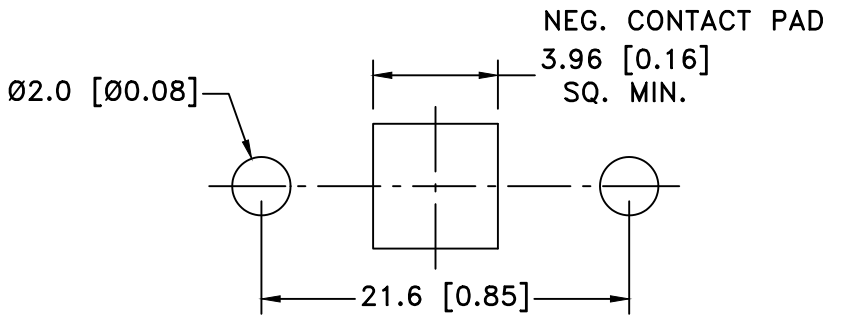
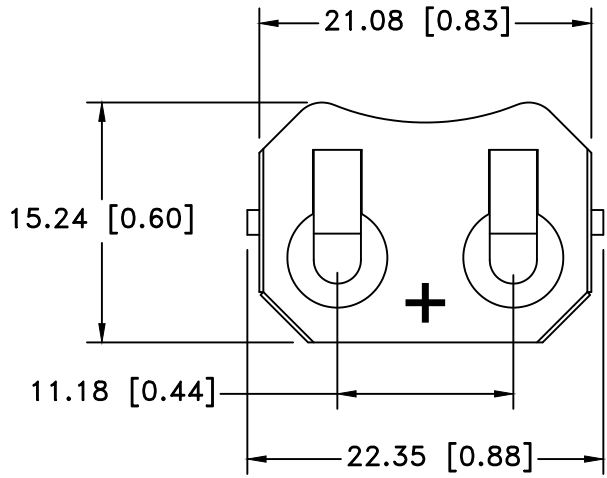
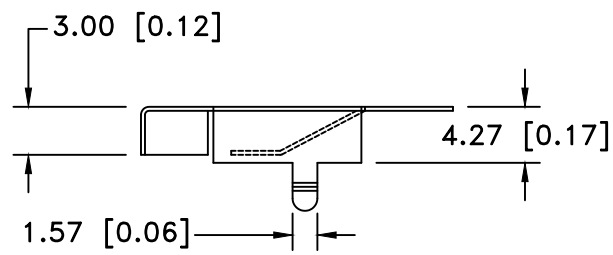
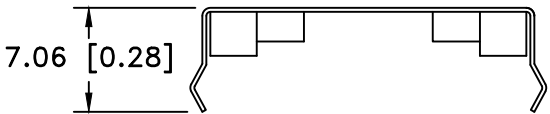


Date	SYM	REVISION RECORD	AUTH	DR.	CK.
10/18/19	B	Added Weight of the part	T.B.	B.S.	




PCB LAYOUT



Weight: 0.85g

NOTES:

- 1. MATERIAL:  
0.25mm PHOSPHOR BRONZE, NICKEL PLATED.
- 2. ROHS COMPLIANT

Tolerance (Except as noted)	 <b>Memory Protection Devices, Inc</b> 200 Broad Hollow Road, Farmingdale, New York 11735		
	decimal ±.5 (.020)	Scale	Drawn By B.S. Approved By T.B.
Fractional ± .8 (.030)	Title COIN CELL RETAINER FOR 20mm DIA. BATTERIES		
Angular ± 3°	Date 10/18/19	Drawing Number BK-913	

CELL SIZE	RETAINS BATTERY NUMBERS
20mm	BR2032, CR2032