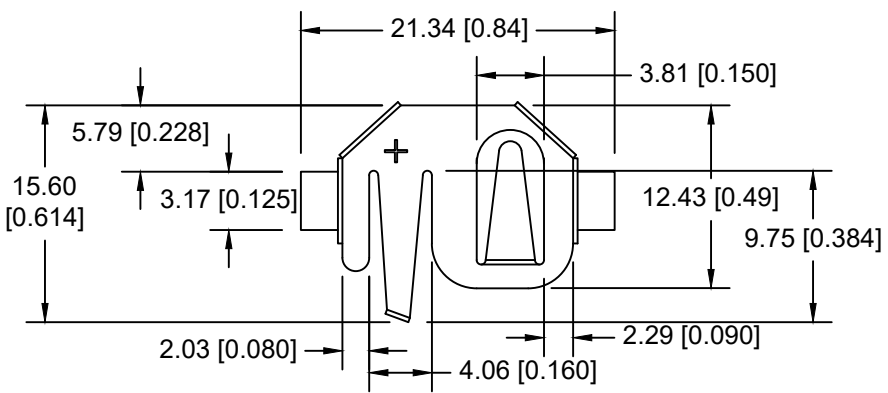
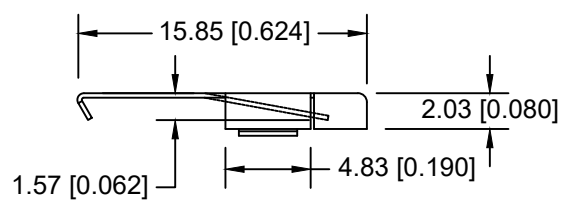
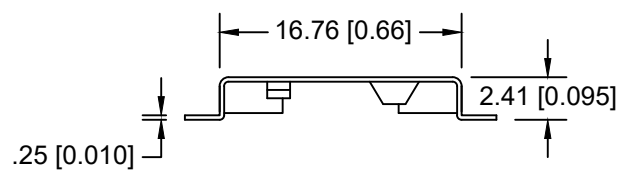


Date	SYM	REVISION RECORD	AUTH	DR.	CK.




ISO VIEW



**NOTES:**

- 1. MATERIAL:  
0.25mm PHOSPHOR BRONZE, NICKEL PLATED OVERALL.  
ROHS COMPLIANT
- \* VIBRATION TEST: 10-50-10 HZ SWEEPED IN 60 SECONDS  
X,Y,Z DIRECTION: 1 HOUR EACH DIRECTION
- \* RESULT: NO DISLODGE MENT OF THE CELL OR DAMAGE  
NO DISCONTINUITY OVER 10 MICRO-SECONDS
- \* SHOCK TEST: HALF SINE WAVE ACCELERATION 150G.  
6 MILLISECON DS  
3 SHOCK PULSES EACH DIRECTION PER  
AXIS, TOTAL OF 18 PULSES
- \* RESULT: NO EVIDENCE OF PHYSICAL DAMAGE

Tolerance (Except as noted)	 <b>Memory Protection Devices, Inc</b> 200 Broad Hollow Road, Farmingdale, New York 11735		
	decimal	Scale	Drawn By B.S.
±.1 (.004)			Approved By D.L.
Fractional ± .2 (.008)	Title CR1620 WITH RETAINING ARM BATTERY RETAINER WITH SURFACE MOUNT CAGE		
Angular ± 1°	Date 01/08/24	Drawing Number BK-960	