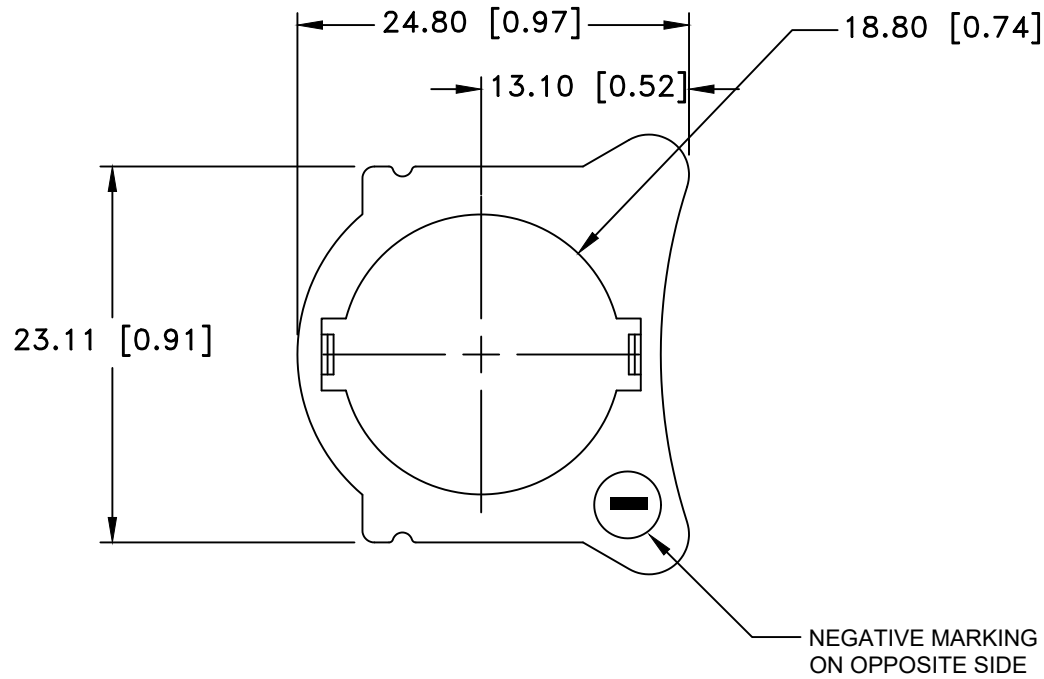
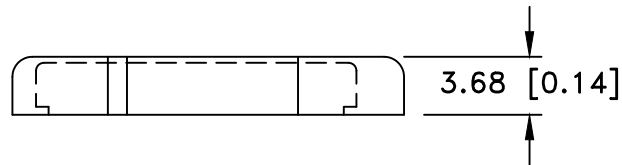


Date	SYM	REVISION RECORD	AUTH	DR.	CK.
07/17/15	A	DIM. 18.80 WAS 14.02	T.B.	B.S.	
10/24/19	B	Added weight of the part	T.B.	B.S.	




## INSULATOR



### SPECIFICATIONS:

- \* Material- Polypropylene, PP-1040, Off White
- \* UL Flammability Rating: UL 94-HB
- \* ROHS COMPLIANT

Weight: 0.44g

Tolerance (Except as noted)	 <b>Memory Protection Devices, Inc</b> 200 Broad Hollow Road, Farmingdale, New York 11735		
decimal $\pm .5$ (.020)		Scale	Drawn By B.S.
Fractional $\pm .8$ (.030)	Title CR2032 BATTERY INSULATOR		
Angular $\pm 3^\circ$	Date 10/24/19	Drawing Number BRX1-0003	