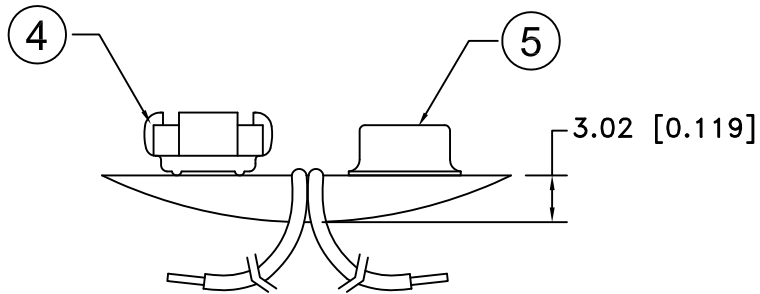
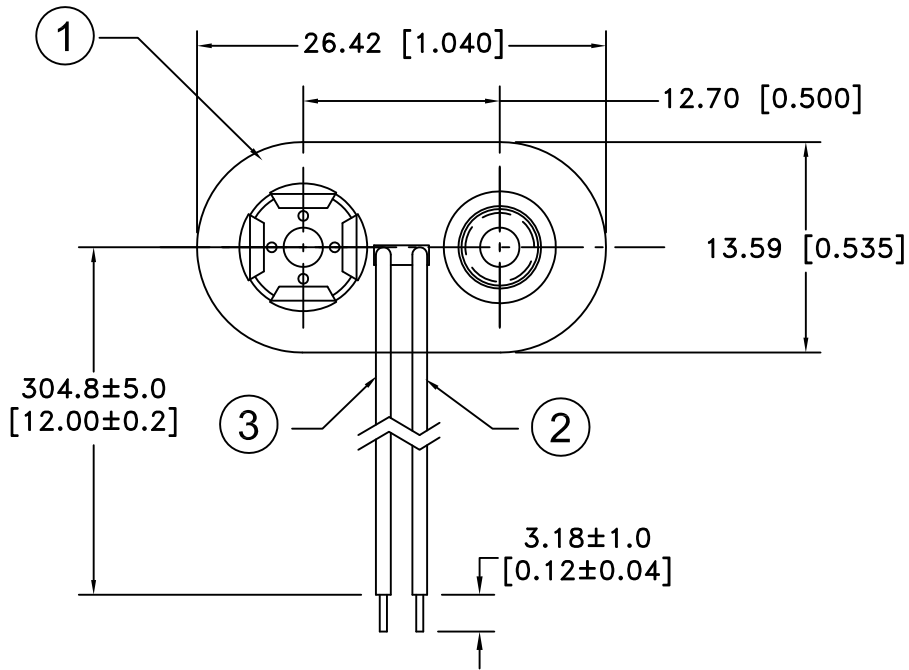


Date	SYM	REVISION RECORD	AUTH	DR.	CK.
10/03/14	A	UPDATED TO ROHS 2 COMPLIANT	T.B.	B.S.	



ROHS 2 COMPLIANT

NO.	PART NAME	MATERIAL	QTY.	Tolerance (Except as noted)	MPD Memory Protection Devices, Inc	
					200 Broad Hollow Road, Farmingdale, New York 11735	
1	COVER	PVC COVER OVER FIBERBOARD	1	decimal ±.5 (.020) Fractional ± .8 (.030) Angular ± 3°	Scale	Drawn By B.S.
2	BLACK WIRE(-)	24 AWG, UL-1007, CSA TR-64, 300V, 80°C	1			Approved By T.B.
3	RED WIRE (+)	24 AWG, UL-1007, CSA TR-64, 300V, 80°C	1		Title 9 VOLT BATTERY SNAP-T STYLE, HEAVY DUTY, 12" WIRE LEADS	
4	FEMALE SNAP	PHOSPHOR BRONZE, NICKLE PLATED, HEAVY DUTY	1			Date 10/03/14
5	MALE SNAP	BRASS NICKLE PLATED	1			Drawing Number BS12T-HD