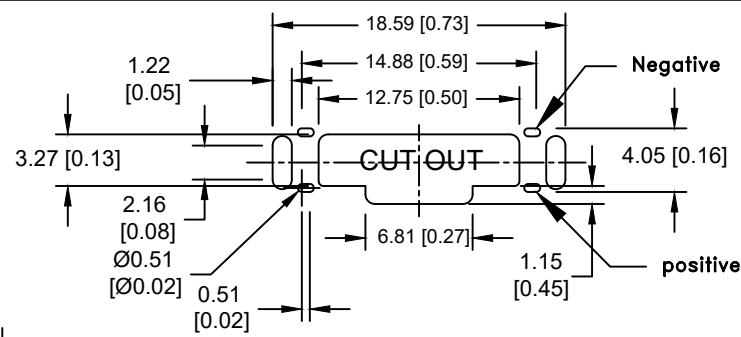
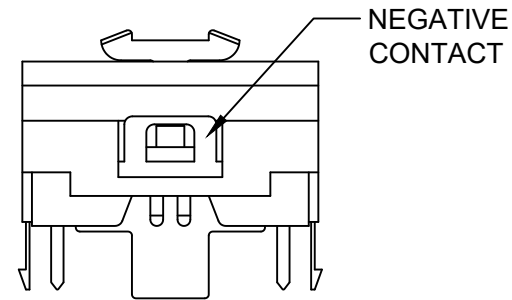
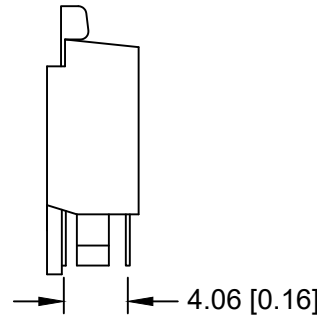
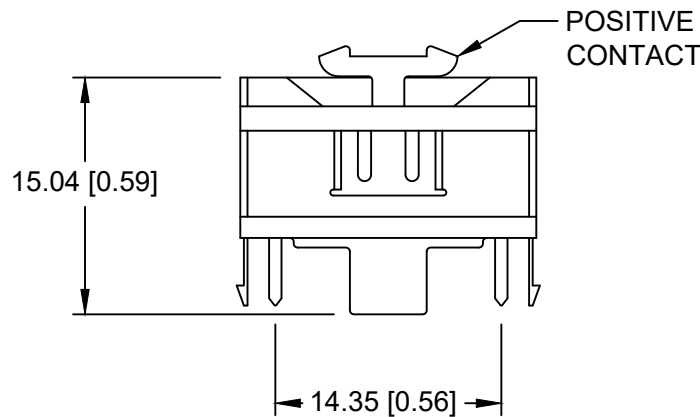
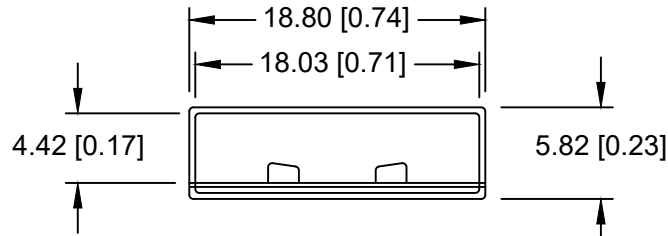


Date	SYM	REVISION RECORD	AUTH	DR.	CK.
05/25/18	B	RE-DIMENSION PCB LAYOUT	T.B.	B.S.	
11/07/19	C	ADDED WEIGHT OF THE PART	T.B.	B.S.	



PCB LAYOUT



NOTES:

1. MATERIAL:

HOUSING: NYLON 66, 33% GLASS FILLED, FILE NO. E41938, UL94-HB

CONTACTS: 0.010" PHOS. BRONZE, GOLD FLASH OVER NICKEL PLATE

TEMPERATURE RANGE: -40°C TO +220°C

* VIBRATION TEST: 10-50-10 HZ SWEEPED IN 60 SECONDS X,Y,Z DIRECTION: 1 HOUR EACH DIRECTION


* RESULT: NO DISLODGEMENT OF THE CELL OR DAMAGE NO DISCONTINUITY OVER 10 MICRO-SECONDS

* SHOCK TEST: HALF SINE WAVE ACCELERATION 150G. 6 MICRO-SECONDS 3 SHOCK PULSES EACH DIRECTION PER AXIS, TOTAL OF 18 PULSES

* RESULT: NO EVIDENCE OF PHYSICAL DAMAGE

* APPROXIMATE WEIGHT: 0.95g

* ROHS COMPLIANT

Tolerance (Except as noted)	 Memory Protection Devices, Inc 200 Broad Hollow Road, Farmingdale, New York 11735		
	decimal ±.5 (.020)	Scale	Drawn By B.S. Approved By T.B.
Fractional ± .8 (.030)	Title CR1632 VERTICAL CELL HOLDER		
Angular ± 3°	Date 11/07/19	Drawing Number BV-1632-G	