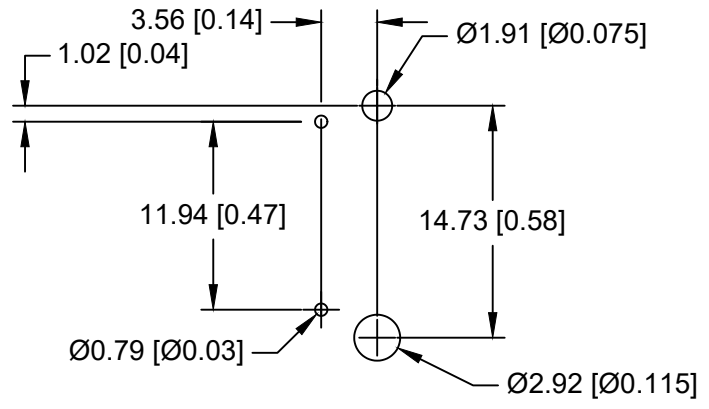
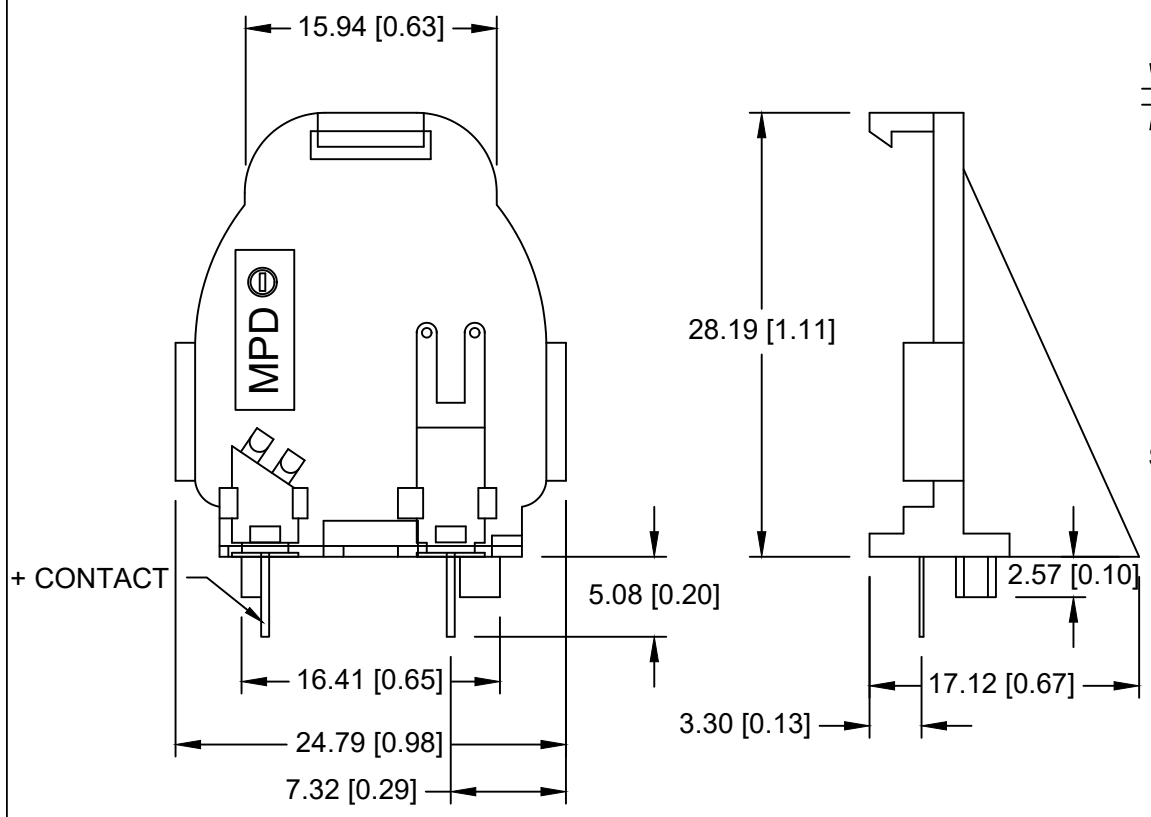


Date	SYM	REVISION RECORD	AUTH	DR.	CK.
6/19/15	C	ADDED DIM. 3.30, 7.32, 8.75, 8.90 AND POLARITY	T.B.	B.S.	
01/27/17	D	Updated UL File number	T.B.	B.S.	
10/24/19	E	Added weight of the part	T.B.	B.S.	

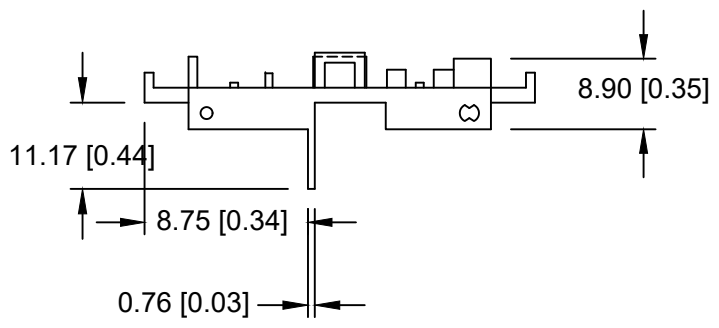



PCB LAYOUT

SPECIFICATIONS:

- \* Holder material- Zenite 30% glass reinforced Liquid Crystal Polymer resin, UL File No. E344082, UL94V-0
- \* Color: Off White
- \* Contacts : PHOS-BRONZE, GOLD FLASH
- \* Temperature range: -40°C to +260°C
- \* Vibration Test: 10-50-10 Hz swept in 60 seconds  
X,Y,Z direction: 1 hour each direction
- \* Result: No dislodgement of the cell or damage  
No discontinuity over 10 micro-seconds
- \* Shock Test: Half sine wave acceleration 150G. 6 ms  
3 shock pulses each direction per axis, total of 18 pulses
- \* Result: No evidence of physical damage
- \* ROHS COMPLIANT

Weight: 2.34g



Tolerance (Except as noted)	 <b>Memory Protection Devices, Inc</b> 200 Broad Hollow Road, Farmingdale, New York 11735		
	decimal ±.5 (.020)	Scale	Drawn By B.S. Approved By T.B.
Fractional ± .8 (.030)	Title CR2032 VERTICAL BATTERY HOLDER WITH PC PINS		
Angular ± 3°	Date 10/24/19	Drawing Number BVSD-2032-PC	